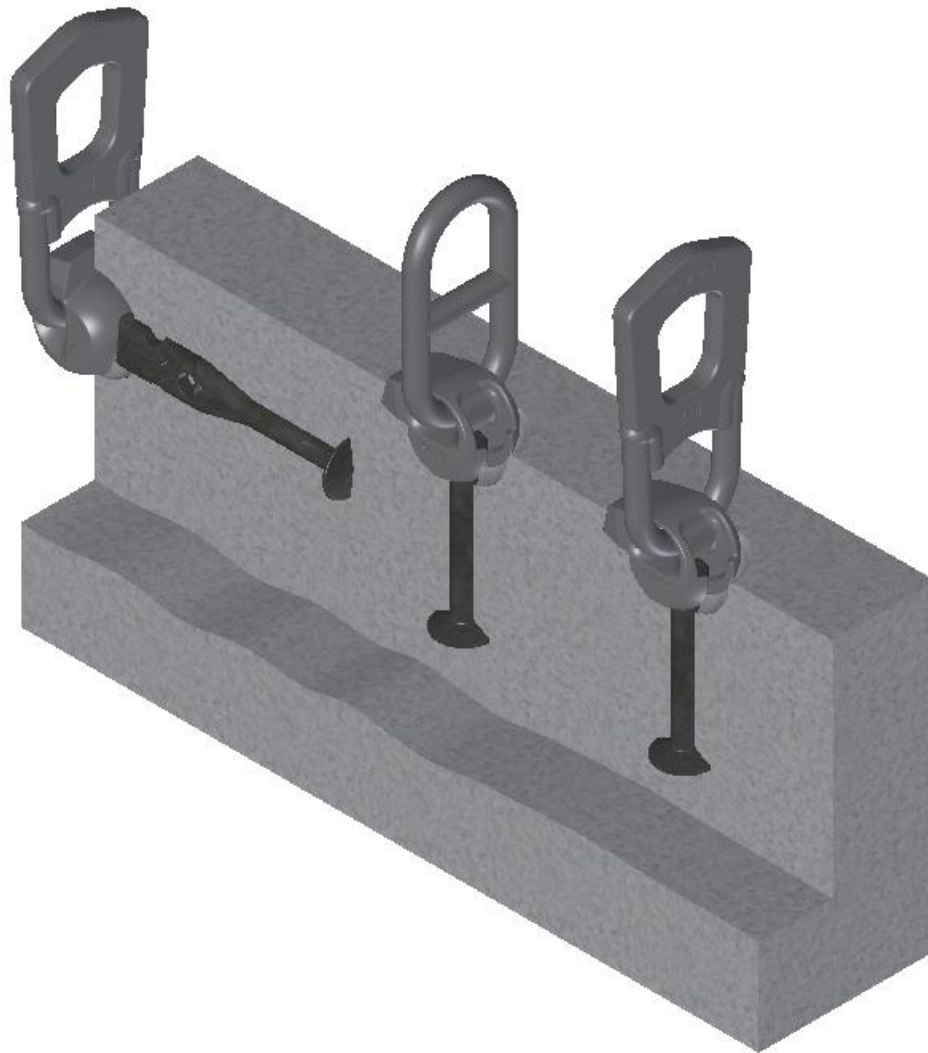




3D T- SLOT-ANCHOR SYSTEM



WWW.TERWA.COM



OVERVIEW

LIFTING CLUTCHES AND TRANSPORT ANCHOR			
<p>TH2</p>  <p>Page 46</p>	<p>THR2</p>  <p>Page 46</p>	<p>TH1</p>  <p>Page 47</p>	<p>TH1-15/20T</p>  <p>Page 47</p>
<p>T-SLOT</p>  <p>Page 18</p>	<p>T-DOUBLE HEAD</p>  <p>Page 28</p>	<p>P-ANCHOR</p>  <p>Page 31</p>	<p>O-ANCHOR</p>  <p>Page 34</p>
<p>TKA</p>  <p>Page 36</p>	<p>TSG</p>  <p>Page 39</p>	<p>TKS</p>  <p>Page 42</p>	<p>TPA</p>  <p>Page 45</p>
RECESS FORMERS AND ACCESORIES			
<p>RB</p>  <p>Page 53</p>	<p>SRB</p>  <p>Page 53</p>	<p>RBK</p>  <p>Page 54</p>	<p>RBP</p>  <p>Page 54</p>
<p>MPB</p>  <p>Page 54</p>	<p>SBK</p>  <p>Page 54</p>	<p>SBKM</p>  <p>Page 55</p>	<p>IPK</p>  <p>Page 36</p>
<p>RR</p>  <p>Page 55</p>	<p>IP</p>  <p>Page 56</p>	<p>IPD</p>  <p>Page 56</p>	<p>IPDV</p>  <p>Page 56</p>
<p>TDV</p>  <p>Page 56</p>	<p>OPR</p>  <p>Page 56</p>	<p>TAF</p>  <p>Page 57</p>	



TABLE OF CONTENTS:

OVERVIEW 2

TABLE OF CONTENTS: 3

INTRODUCTION 5

CE MARKING..... 5

PRODUCT RANGE 6

TECHNICAL INFORMATION – CHOOSING THE TYPE OF ANCHOR 6

SAFETY RULES 6

ANCHORS LIFTING CONDITIONS..... 7

INSTALLATION AND APPLICATION 8

WELDING TO THE ANCHORS 8

LOAD CAPACITY 8

WEIGHT OF PRECAST UNIT 8

ADHESION TO FORMWORK COEFFICIENT 9

DYNAMIC LOADS COEFFICIENT 10

LOAD DIRECTIONS 11

POSITIONING THE ANCHORS IN WALLS 12

DETERMINATION OF ANCHOR LOAD..... 13

CALCULATION EXAMPLES 15

Example 1: SLAB UNIT..... 15

Example 2: WALL PANEL..... 16

Example 3: DOUBLE-T BEAM..... 17

LIFTING ANCHORS..... 18

T – SLOT ANCHOR..... 18

T –DOUBLE HEAD ANCHOR 28

P- ANCHOR..... 31

O- ANCHOR..... 34

TKA-TILT-ANCHOR..... 36

TSG – OFFSET ANCHOR..... 39

TKS- ANCHOR 42

TPA – PLATE ANCHOR..... 45

LIFTING CLUTCHES TH2 AND THR2 46

LIFTING CLUTCHES TH1 47

LIFTING CLUTCHES - SYSTEM MAINTENANCE 49

STORAGE REQUIREMENTS..... 52

ATTACHMENT OF THE SLOT - ANCHORS IN CONCRETE 53

RECESS FORMERS..... 53

RB – STANDARD RUBBER RECESS FORMER..... 53

SRB – NARROW RUBBER RECESS FORMER..... 53

RBK – TKA RUBBER RECESS FORMER 54

RBP – RUBBER RECESS FORMER 54



<i>MPB – MAGNETIC RECESS FORMER</i>	54
<i>SBK – STEEL RECESS FORMER</i>	54
<i>SBKM – STEEL RECESS FORMER WITH MAGNET</i>	55
<i>RR – RUBBER RING</i>	55
FIXING ACCESSORIES FOR THE RUBBER RECESS FORMERS	56
<i>IP – FIXING PLATE</i>	56
<i>IPD – FIXING PLATE WITH THREAD ROD / IPDV – FIXING PLATE WITH THREAD ROD AND WING NUT</i> .	56
<i>TDV – THREAD HOLDING SCREW</i>	56
<i>OPR – MOUNTING PLATE</i>	56
<i>TAF – PROTECTION COVER</i>	57
GENERAL INSTRUCTIONS FOR INSTALLATION AND USE	58



INTRODUCTION

Using the 3D T-slot Anchor System is fast, and the utilisation of a cheap T-Slot-anchor makes application of this lifting system the most economical system.

The T-Slot anchor is built into the concrete element with the aid of a rubber recess former. After pouring the shuttering and after the concrete has hardened, the rubber ball can be removed. The TH2 lifting clutch fits perfectly in the hole created, facilitating pulling the prefab element up out of the shuttering.

Some of the important advantages of these systems are:

- Safe, simple and fast connection and disconnection between lifting anchors and lifting clutches.
- Anchors and links are designed for load capacities between **1.3 – 45 t**.
- High quality alloy material for lifting anchors can be used in any environment.
- Available in hot-dip galvanized and stainless steel for protection against corrosion.
- Perfect lifting and transport solution for most applications and precast elements.
- CE certified system. All Terwa lifting systems have the CE marking which guarantees conformance with the European regulations.
- The design for Terwa 3D Lifting Anchors and technical instructions comply with the national German guideline VDI/BV-BS 6205:2012 "Lifting inserts and lifting insert for precast concrete elements". Based on this guideline, the manufacturer must also ensure that the lifting systems have sufficient strength to prevent concrete failure.
- The anchors are designed to resist at a minimum safety factor = 3.

Quality

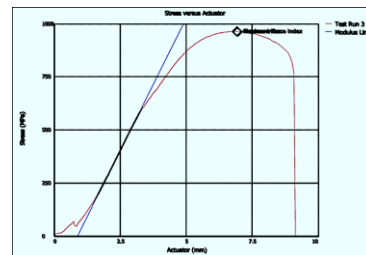
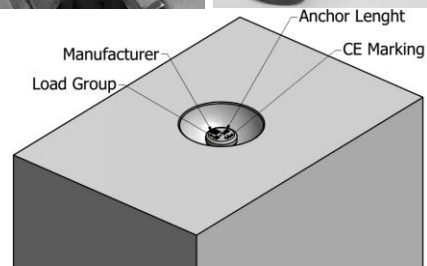
Terwa continuously controls the anchor production process from the perspective of strength, dimensional and material quality, and performs all of the required inspections for a superior quality system. All of the products are tracked from material acquisition to the final, ready to use product.

Marking and traceability

All anchors and lifting clutches are CE marked and have all necessary data for traceability and load group.

Anchor testing

Terwa lifting anchors are designed to resist at a minimum safety factor of **3x load group**



CE MARKING

CE marking means that a product is manufactured and inspected in accordance with a harmonized European standard (hEN) or a European Technical Approval (ETA). ETA can be used as the basis for CE marking for cases in which there is no hEN. However, ETA is voluntary, not required by EU directives or legislation.

Manufacturers may use the CE marking to declare that their construction products meet harmonized European standards or have been granted ETA Approvals. These documents define properties the products must have to be granted the right to use the CE marking and describe how the manufacture of these products is supervised and tested.

EU's Construction Products Regulation takes full effect on 1 July 2013. There are no harmonized EN standards for detailed building parts such as connections used in concrete constructions, excluding lifting items and devices, which are covered by the EU Machinery Directive. For steel constructions, CE marking will become mandatory as of 1 July 2014 as covered by the EU Construction Products Directive.



PRODUCT RANGE

LIFTING SYSTEM

- **LIFTING CLUTCHES**

“Terwa” offers various lifting clutches and a wide range of different recess formers. The difference between all of the systems is actually defined by the type of anchors.

- **TRANSPORT ANCHORS**

The anchors are forged from round carbon steel. Available in black (with no surface treatment other than being slightly oiled) or hot dip galvanized, Terwa abbreviation <801>TV</801>. A small range of stainless steel anchors (A2-1.4301; AISI 304, Terwa abbreviation SS2) is available as well. All anchors are designed to meet a minimum safety factor of $c=3$.

RECESS FORMERS AND ACCESORIES

The anchors are fitted in the mould with a recess former. The recess formers are of course available in the same range as the lifting clutches and the anchors. This is indicated by a load group, marked on the top.

The formers are mounted on the mould using fixing plates.

TECHNICAL INFORMATION – CHOOSING THE TYPE OF ANCHOR

Terwa has a total 3 types of lifting systems:

- 1D Threaded lifting system
- 2D Strip anchor lifting system
- 3D T slot anchor lifting system

The method of choosing the anchor is identical for all of these types and depends on the lifting method and/or experience.

The 1D Threaded lifting system is mainly used when the hoisting angles are limited, while the 2D Strip anchor lifting system and the 3D T slot anchor lifting system can be used for all hoisting angles with minor limitations for the 2D Strip anchor lifting system. The difference between the 2D Strip anchor lifting system and the 3D T slot anchor lifting system is lies principally in the experience one has in using one or the other system.

Terwa also has software for making the anchor calculations.



SAFETY RULES

The anchors are embedded in the concrete elements. The lifting system is connected to the anchor only when required for lifting.

Ensure that the concrete has reached an MPA strength of at least 15 MP before beginning lifting.



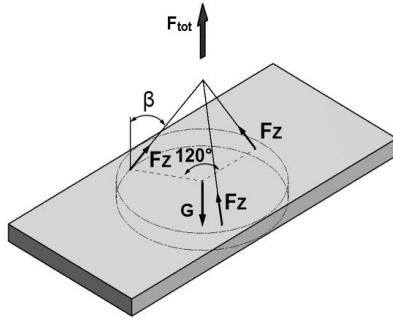
In designing the lifting system, it is essential to use the following safety factors to prevent breaking:

- **For a steel component** $c = 3$
- **For a concrete element** $c = 2.5$
- **For steel wires** $c = 4$

The maximum permitted load on the components quoted in the tables has been obtained by applying a safety factor on test data.

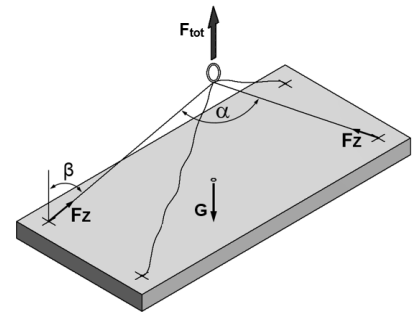
ANCHORS LIFTING CONDITIONS

Using three anchors spaced the same distance apart from each other as in the figure, three load bearing anchors can be assumed.



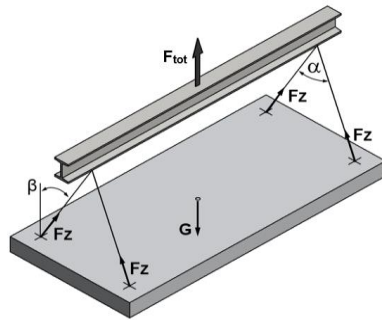
Load bearing anchors:
n=3

Using four anchors lifted without a spreader beam, only two load bearing anchors can be assumed.



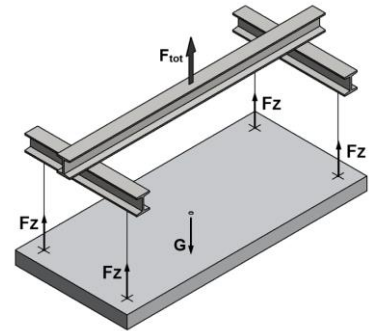
Load bearing anchors:
n=2

Perfect force distribution is assumed using a spreader beam.



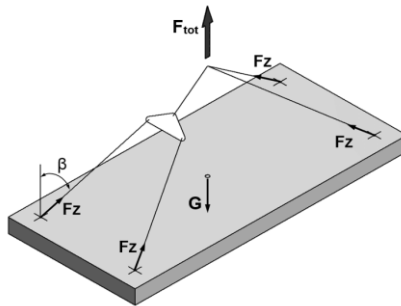
Load bearing anchors:
n=4

Perfect static weight distribution can be obtained using a lifting beam and two pairs of anchors symmetrically placed.



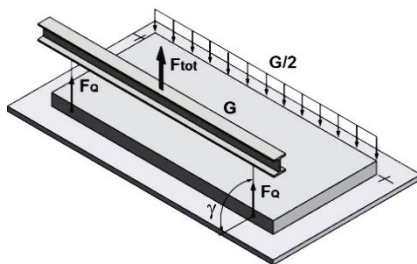
Load bearing anchors:
n=4

The compensating lifting slings ensure equal force distribution.

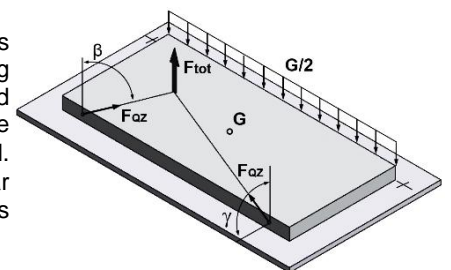


Load bearing anchors:
n=4

When the element is lifted without a lifting table at a straight angle and contact with the ground is maintained. Additional shear reinforcement is required.



When the element is lifted without a lifting table at an angle and contact with the ground is maintained. Additional shear reinforcement is required. $\beta \leq 30^\circ$



ASYMMETRIC DISTRIBUTION OF THE LOAD

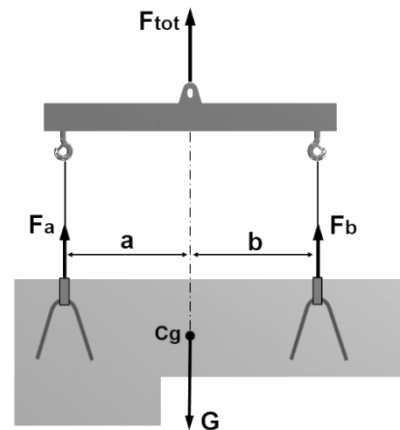
For asymmetrical elements, calculate the loads based on the centre of gravity before installing the anchors. The load of each anchor depends on the embedded position of the anchor in the precast unit and on the transport mode:

- If the arrangement of the anchors is asymmetrical in relation to the centre of gravity, the individual anchors support different loads. For the load distribution in asymmetrically installed anchors when a spreader beam is used, the forces on each anchor is calculated using the following equation:

$$F_a = F_{tot} \times b / (a + b)$$

$$F_b = F_{tot} \times a / (a + b)$$

Note: To avoid tilting the unit during transport, the load should be suspended from the lifting beam in such a way that its centre of gravity (Cg) is directly under the crane hook.



b) For transporting without a lifting beam, the load on the anchor depends on the cable angle (β).

INSTALLATION AND APPLICATION

Do not use for lift transport anchors that are incorrectly installed, damaged (e.g. : damage due to corrosion or with visible deformities).

If the concrete is damaged the load capacity could be reduced and for this reason the anchor must not be used.

WELDING TO THE ANCHORS

Welding the anchors, for example, to the reinforcement mesh is **NEVER permitted**. Under normal circumstances, the choice of the material for the anchors in order to obtain the smallest anchor in relation to the highest safety does not allow for any welding.

LOAD CAPACITY

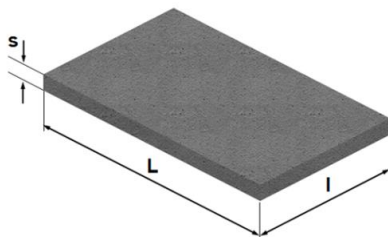
Maximum load capacities, edge distances and installation values can be found in the tables. The following factors must be taken into account for the calculations.

The load capacity of the anchor depends on multiple factors such as:

- The deadweight of the precast concrete element "G"
- The strength of the concrete when operating, lifting or transporting
- Number of load bearing anchors
- Anchor layout - the edge distance and spacing of the anchors
- The embedded depth of the anchor
- The load direction
- Dynamic loads
- Adhesion to the formwork
- The reinforcement arrangement

WEIGHT OF PRECAST UNIT

The total weight "G" of the precast reinforced concrete element is determined using a specific weight of: $\rho = 25\text{kN/m}^3$. For precast elements made with a higher concentration of reinforcing elements, this must be taken into consideration in calculating the weight.



$$G = \rho \times V$$

$$V = L \times l \times s$$

Where:

V - volume of precast unit in [m³]

L - length in [m]

l - width in [m]

s - thickness in [m]



ADHESION TO FORMWORK COEFFICIENT

Adhesion forces between the mould and the concrete depend on the type of mould used.

Take the following into consideration:

- Oiled formwork
- Removing the side formwork

The value "H_a" of adhesion to the mould is calculated using the following equation:

$$H_a = q \times A \text{ [kN]}$$

Where:

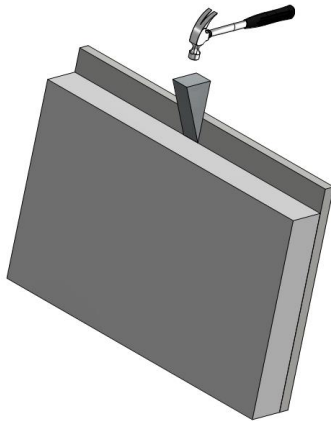
- q – the adhesion to mould factor consistent with the material of the mould
- A – area of contact between the mould and the concrete unit when starting the lift.

Adhesion to the formwork	
oiled steel formwork	$q \geq 1 \text{ kN/m}^2$
varnished timber formwork	$q \geq 2 \text{ kN/m}^2$
oiled rough timber formwork	$q \geq 3 \text{ kN/m}^2$

In some cases, such as π - panel or other specially shaped elements, an increased adhesion coefficient must be taken into consideration.

Adhesion to the formwork	
Double T beam	$H_a = 2 \times G \text{ [kN]}$
Ribbed elements	$H_a = 3 \times G \text{ [kN]}$
Waffled panel	$H_a = 4 \times G \text{ [kN]}$

where: G - dead weight of the element



Adhesion to the formwork should be minimized before lifting the concrete element out of the formwork by removing as many parts of the formwork as possible.

Before lifting from the table, the adhesion to the formwork must be reduced as much as possible by removing the formwork from the concrete element (tilting the formwork table, brief vibration for detachment, using wedges).



DYNAMIC LOADS COEFFICIENT

When movement of the precast units is performed using lifting gear, dynamic forces which depend on the lifting gear used develop. The lifting classes are described in DIN 15018.

Lifting class	Lifting load coefficient "f" at lifting speed v _h	
	Up to 90 m/min	Over 90 m/min
H 1	1.1 + 0.002 v _h	1.3
H 2	1.2 + 0.004 v _h	1.6
H 3	1.3 + 0.007 v _h	1.9
H 4	1.4 + 0.009 v _h	2.2

Lifting equipment	Dynamic coefficient "f"
Rail crane, swing-boom crane and fixed crane	1.3 *)
Lifting and transporting on level terrain	2.5
Lifting and transporting on uneven terrain	≥ 4.0
*) lower values may be appropriate in precast plants if special arrangements are made.	

For cranes with precision lifting, such as those in manufacturing plants the lifting load coefficient is $f = 1.1 \div 1.3$.

IN THE PRECAST YARD:

- for lifting out of the formwork $f = 1.1$
- for tilting and transport $f = 1.3$

ON SITE:

- for tilt/transport/install $f = 1.5$
- when transporting suspended precast elements over uneven terrain, the lifting load coefficient used is $f > 2$.

For special transport and lifting cases, the dynamic coefficient is established based on the tests or on proven experience.

LIFTING AT AN ANGLE – CABLE ANGLE COEFFICIENT

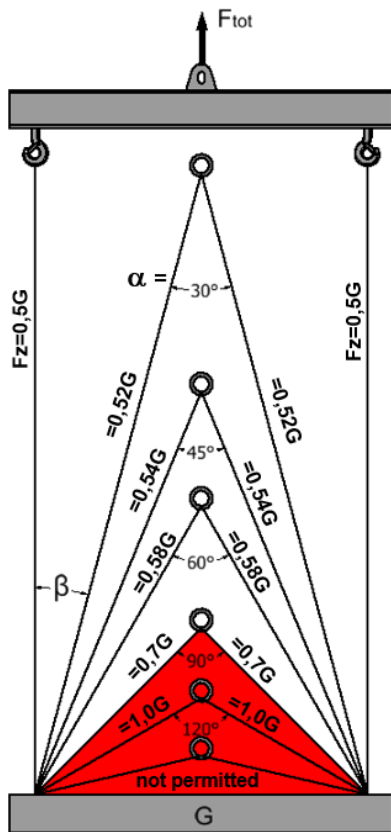
The load value applied on each anchor depends on the chain inclination, which is defined by the angle β between the normal direction and the lifting chain.

The cable angle β is determined by the length of the suspension cable. We recommend that, if possible, β be kept to a minimum of $\beta \leq 30^\circ$. The tensile force on the anchor increases with an angle coefficient of "z".

$$F = F_{tot} \times z/n$$

Where:

- z - cable angle coefficient; $z = 1/\cos\beta$
- n - number of load bearing anchors



Cable angle β	Spread angle a	Cable angle factor z
0°	-	1.00
7.5°	15°	1.01
15.0°	30°	1.04
22.5°	45°	1.08
30.0°	60°	1.16
*37.5°	75°	1.26
*45.0°	90°	1.41

* preferred $\beta \leq 30^\circ$

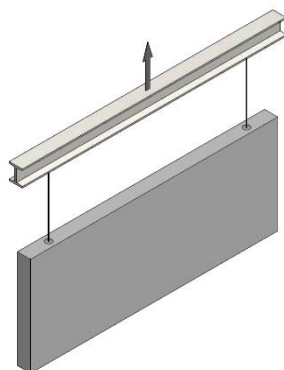
Note: If no lifting beam is used during transport, the anchor must be embedded symmetrical to the load.

Lifting symbols used in the documentation	
Axial pull in direction of anchor axis.	
Transversal pull perpendicular to the anchor axis.	
Angled pull, lifting at an angle to the anchor axis	

LOAD DIRECTIONS

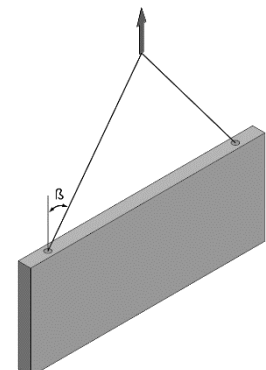
Various scenarios can occur during transport and lifting such as tilt-up, rotation, hoisting and, of course, installation. The lifting anchors and clutches must have the capacity for all these cases and combinations of them. Therefore, the load direction is a very important factor for proper anchor selection.

Axial load $\beta = 0^\circ$ to 10°



Diagonal load $\beta = 10^\circ$ to 45°

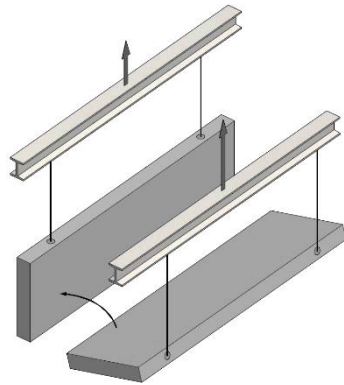
Note: $\beta \leq 30^\circ$ is recommended



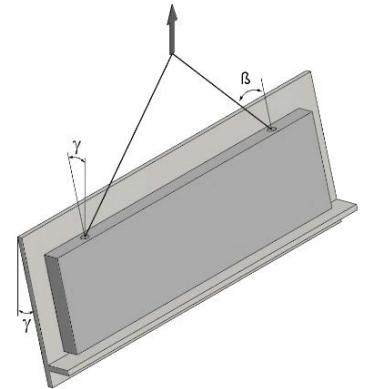


Tilting $\varphi = 90^\circ$

Additional shear reinforcement must be used.

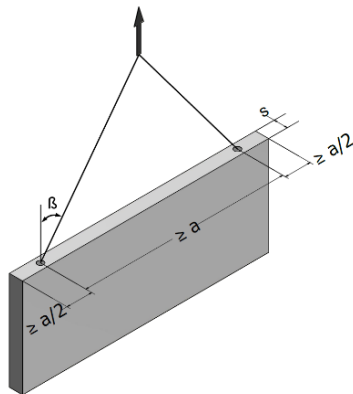


When a tilting table is used, the anchors can be used without additional shear reinforcement steel, not to exceed the angle $\varphi < 15^\circ$

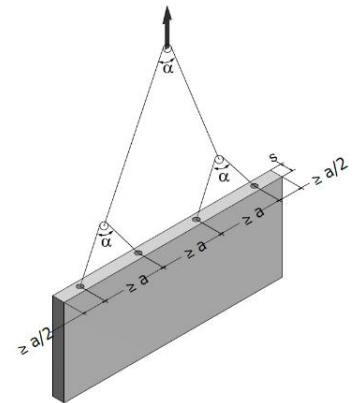


POSITIONING THE ANCHORS IN WALLS

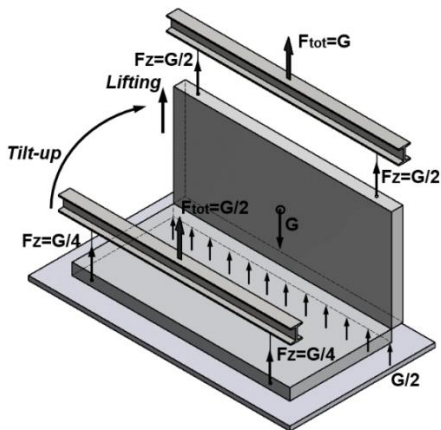
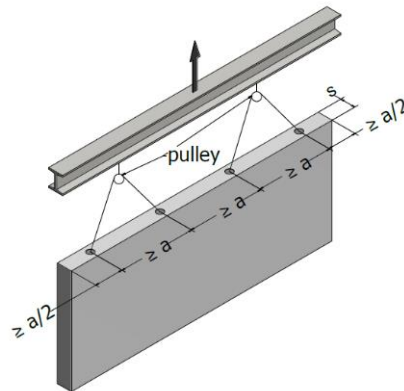
Load bearing anchors:
n=2



Load bearing anchors:
n=4



Load bearing anchors:
n=4



Lifting the walls from horizontal to vertical position without tilt-up table.

In this case, the anchors are loaded with half of the element weight since half of the element remains in contact with the casting table.

DETERMINATION OF ANCHOR LOAD

The load on each load bearing anchor is calculated using the following formula:

- **When de-mould** $F = (F_{tot} \times z) / n = [(G + H_a) \times f \times z] / n$

- **When tilting** $F = (F_{tot} / 2 \times f \times z) / n = [(G / 2 + H_a) \times f \times z] / n$

During tilting, when the concrete element remains supported on the ground, only half of the forces have to be taken into account.

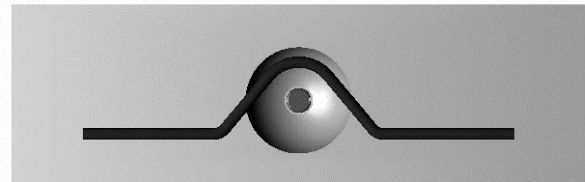
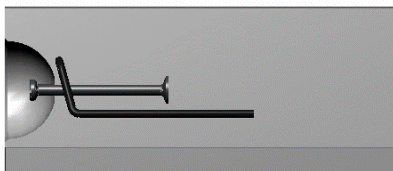
For tilting, the load-bearing capacity of sockets and anchors is limited to 50% of the axial load.

- **When lifting** $F = (F_{tot} \times f \times z) / n = (G \times f \times z) / n$

The choice of the type of the lifting anchor must be made when the force acting on the most heavily loaded lifting has been determined. The type of the T-Slot-anchor can be determined using the forces acting on the load. Depending on the concrete strength present, the length of the T-Slot-anchor to be used can be determined using the appended tables.

No reduction of the permissible load is necessary when lifting at an angle using T-Slot-anchors. It may be necessary to use split reinforcement for the setting small elements vertically because the applied force from the lifting hook will lead directly to the forces on the concrete. In these cases, working with the TKA-Tilt Slot-anchors is recommended.

Split reinforcement can be adjusted in as follows. The lifting clutch results directly in the applied force on the concrete and begins approximately half way along the recess former. That is why split reinforcement must be utilised See the illustration.



ANCHORING T-SLOT-ANCHORS

If the T-Slot-anchor loading type has been chosen, the length of the anchor must be determined. Depending on the form of the element and the strength of the concrete at the first loading, a T-Slot-anchor should be selected, which realizes a larger anchoring force than is calculated as the force acting on the load. The anchoring force permitted is calculated with a safety factor of 2.5.

The foot of the T-Slot-anchor ensures the anchoring. When the concrete collapses, a dish-shaped foot emerges from the T-Slot-anchor, a break-out cone with a slope of 1:3. That is why these relatively small anchoring lengths are sufficient.

Tables are appended to this technical documentation, into which most situations that arise can be filled. It is also possible to make an exact calculation of the current situation. Special tables can be made on request which match the practical situations at the prefab factory or at the building site.

If it is possible to classify elements into the following groups, then the following rule of thumb can be used. In case of there is a lack of experience with the 3D Slot-anchor system, Terwa can always provide additional information.

Type of element:

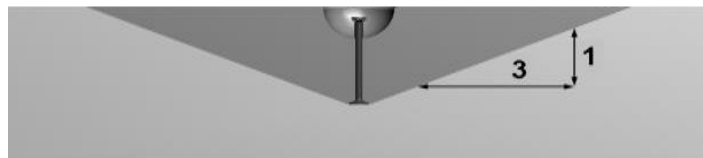
- Beams: Standard length T-Slot-anchors can be used per loading type.
- Horizontal plates: T-Slot-anchors with a length smaller than standard length can be used.
- Vertical plates: T-Slot-anchors with a longer than standard length must be used.



OVERVIEW OF T-SLOT-ANCHORS LENGTHS

Loading class [kN]	Standard type T- Slot-anchor	Shorter frequently used T- Slot-anchor	Longer frequently used T-Slot-anchor
13	T 013-0120	T 013-0065	T 013-0240
25	T 025-0170	T 025-0085	T 025-0280
50	T 050-0240	T 050-0120	T 050-0340
75	T 075-0300	T 075-0150	T 075-0540
100	T 100-0340	T 100-0170	T 100-0680
150	T 150-0400	T 150-0210	T 150-0840
200	T 200-0500	T 200-0340	T 200-0500
320	T 320-0700	T 320-0500	T 320-1200

All deliverable types of T-Slot-anchors are mentioned in the product documentation and the pricelist and can be delivered in untreated, hot dip galvanizing or electrolytic galvanizing and stainless steel.



In addition to the length of the T-Slot-anchor, the concrete strength present is of primary importance when calculating the admissible anchoring force. The deformation force is leading or the concrete strength realized at the first loading of the anchors is primary. If there is any doubt about the admissible concrete force or if it is not possible to realize it, additional measurements have to be taken. For instance, the concrete force can be increased at the location of the T-Slot-anchor by adjusting the insulation material. When you use insulation material, higher temperatures in the concrete can be attained resulting in a faster force development.

The addition of extra reinforcement in the reinforcement nets almost never leads to improvement of the anchoring force. The anchoring force can only increase if the reinforcement is placed around and over the foot of the anchor.



The anchoring force of the T-Slot-anchor is highest when the T-Slot-anchor is placed at a distance to the edge 3 times greater than the built-in depth so that a complete break-out cone can be created. If it is not possible to have an edge distance of 3 times the built-in depth in all directions, better anchoring must be obtained with the aid of a longer T-Slot-anchor.

In the table, a situation is described which meets the edge distances of 3 times larger than the built-in length in all directions as well the situation in which the edge distance is limited to 2 directions. A good impression of what the real admissible force is in situations that are more or less comparable can be obtained with the aid of these tables. In case of doubt, please contact Terwa.

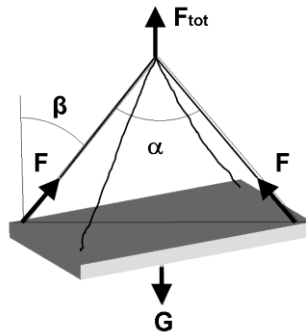
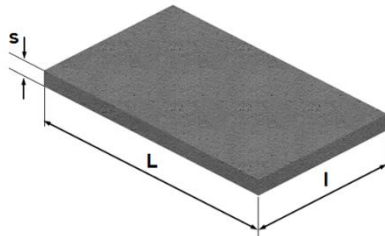


For vertical plates the possibility that a horizontal break out can occur must be taken into account. The vertical reinforcement present has no effect on the anchoring force here either. The situation in the figure will become very critical if the thickness of the element is less than half the thickness of the T-Slot-anchor selected. In this situation additional consultation with Terwa is necessary.

To expand the vertical anchoring a hairpin can be adjusted which falls around the foot. In this situation it is also very helpful to use the TKA-Tilt Slot-anchor, an eye anchor or a rod anchor. The anchoring for these lifting anchors is obtained by inserting a reinforcement hairpin or a ribbed rod through the eye of the anchor..

CALCULATION EXAMPLES

Example 1: SLAB UNIT



The slab unit has the following dimensions:

$$L = 5 \text{ m},$$

$$l = 2 \text{ m},$$

$$s = 0.2 \text{ m}$$

$$\text{Weight } G = \rho \times V = 25 \times (5 \times 2 \times 0.2) = 50 \text{ kN}$$

$$\text{Formwork area } A = L \times l = 5 \times 2 = 10 \text{ m}^2$$

$$\text{Anchor number } n = 2$$

General data:	Symbol	De-mould	Transport	Mount
Concrete strength at de-mould [MPa]		15	15	
Concrete strength on site [MPa]				35
Element weight [kN]	G	50		
Element area in contact with formwork [m ²]	A	10		
Cable angle factor at de-mould ($\beta = 15.0^\circ$)	z	1.04	1.04	
Cable angle factor on site ($\beta = 30.0^\circ$)	z			1.16
Dynamic coefficient at de-mould	f	1.1		
Dynamic coefficient at transport	f		1.3	
Dynamic coefficient on site	f			1.5
Adhesion to formwork factor for varnished timber formwork [kN/m ²]	q	2		
Anchor number for de-mould	n	2		
Anchor number for transport at the plant	n		2	
Anchor number for transport on site	n			2

DE-MOULD AT THE PLANT:

Adhesion to formwork factor:

$$q = 2 \text{ kN/m}^2$$

Lifting load coefficient:

$$f = 1.1$$

Cable angle factor:

$$z = 1.04 (\beta = 15.0^\circ)$$

Concrete strength:

$$15 \text{ MPa}$$

$$F = \frac{[(G + q \times A) \times f \times z]}{n} = \frac{[(50 + 2 \times 10) \times 1.1 \times 1.04]}{2} = 40,04 \text{ kN}$$

TRANSPORT AT THE PLANT:

Dynamic coefficient:

$$f = 1.3$$

Cable angle factor:

$$z = 1.04 (\beta = 15.0^\circ)$$

Concrete strength:

$$15 \text{ MPa}$$

$$F = \frac{G \times f \times z}{n} = \frac{50 \times 1.3 \times 1.04}{2} = 33,80 \text{ kN}$$

TRANSPORT AT SITE:

Dynamic coefficient:

$$f = 1.5$$

Cable angle factor:

$$z = 1.16 (\beta = 30.0^\circ)$$

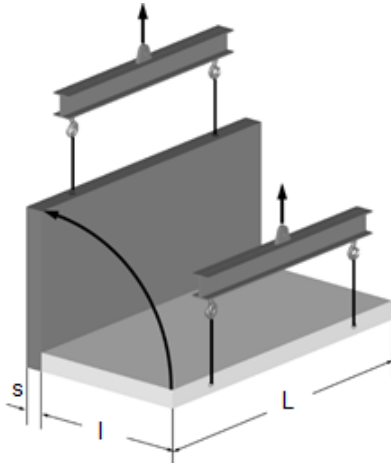
Concrete strength:

$$35 \text{ MPa}$$

$$F = \frac{G \times f \times z}{n} = \frac{50 \times 1.5 \times 1.16}{2} = 43,50 \text{ kN}$$

An anchor in the **50 kN** range is required.

Example 2: WALL PANEL



The wall panel has the following dimensions:

$$L = 6 \text{ m},$$

$$l = 2 \text{ m},$$

$$s = 0.18 \text{ m}$$

$$\text{Weight } G = \rho \times V = 25 \times (6 \times 2 \times 0.18) = 54 \text{ kN}$$

$$\text{Formwork area } A = L \times l = 6 \times 2 = 12 \text{ m}^2$$

$$\text{Anchor number } n = 2$$

General data:	Symbol	De-mould	Tilting	Mount
Concrete strength at de-mould [MPa]		15	15	
Concrete strength on site [MPa]				45
Element weight [kN]	G	54		
Element area in contact with formwork [m ²]	A	12		
Cable angle factor at de-mould ($\beta = 0,0^\circ$)	z	1.0		
Cable angle factor at tilting ($\beta = 0,0^\circ$)	z		1.0	
Cable angle factor on site ($\beta = 30^\circ$)	z			1.16
Dynamic coefficient at de-mould	f	1.1		
Dynamic coefficient at tilting	f		1.3	
Dynamic coefficient on site	f			1.3
Adhesion factor for oiled steel formwork [kN/m ²]	q	1.0		
Anchor number for de-mould	n	2		
Anchor number at tilting	n		2	
Anchor number for transport on site	n			2

DE-MOULD / TILT-UP AT THE PLANT:

Adhesion to formwork factor:	$q = 1 \text{ kN/m}^2$
Lifting load coefficient:	$f = 1.1$
Cable angle factor:	$z = 1 (\beta = 0^\circ)$
Concrete strength:	15 MPa

$$F = \frac{[(G/2 + q \times A) \times f \times z]}{n} = \frac{[(54/2 + 1 \times 12) \times 1.1 \times 1]}{2} = 21,45 \text{ kN}$$

TRANSPORT AT THE PLANT:

Dynamic coefficient:	$f = 1.3$
Cable angle factor:	$z = 1 (\beta = 0^\circ)$
Concrete strength:	15 MPa

$$F = \frac{G \times f \times z}{n} = \frac{54 \times 1.3 \times 1}{2} = 35,1 \text{ kN}$$

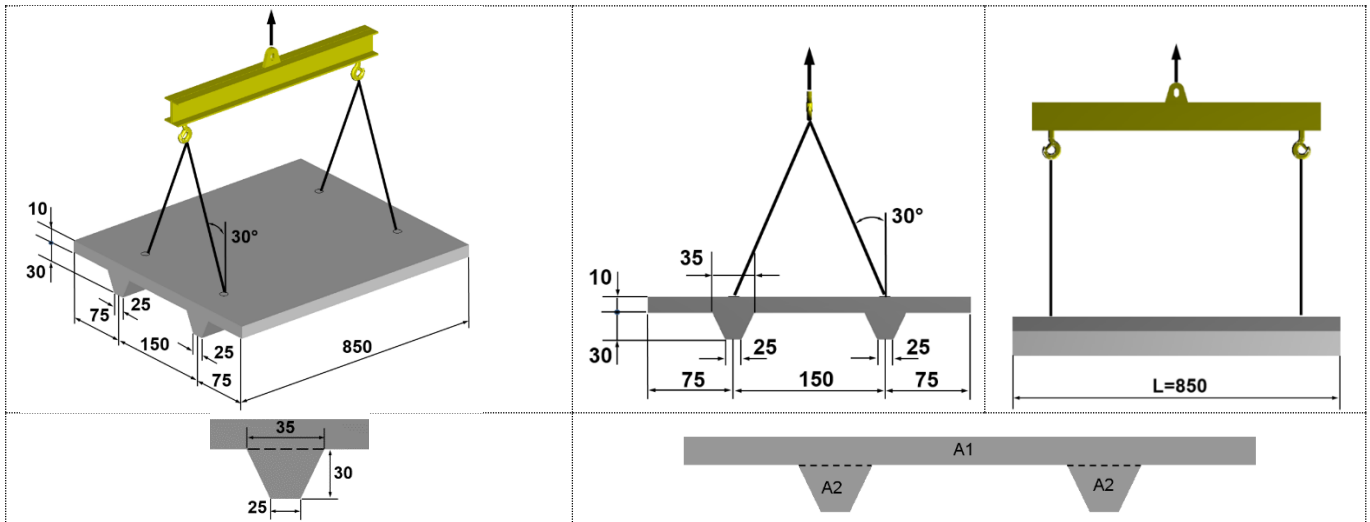
TRANSPORT AT SITE:

Dynamic coefficient:	$f = 1.3$
Cable angle factor:	$z = 1.16 (\beta = 30,0^\circ)$
Concrete strength:	35 MPa

$$F = \frac{G \times f \times z}{n} = \frac{54 \times 1.3 \times 1.16}{2} = 40,72 \text{ kN}$$

Two anchors embedded on lateral side, **TKA type in the 50 kN range** are required. For tilting, additional reinforcement will be added (see page 35).

Example 3: DOUBLE-T BEAM



NOTE: Dimensions are in cm

General data:	Symbol	De-mould	Transport
Concrete strength at de-mould and transport [MPa]		25	25
Element weight [kN]	G	102	
Formwork area [m ²]	A	35.8	
Cable angle factor at de-mould ($\beta = 30.0^\circ$)	z	1.16	
Cable angle factor on site ($\beta = 30.0^\circ$)	z		1.16
Lifting load coefficient at de-mould	f	1.0	
Lifting load coefficient at transport	f		1.3
Anchor number for de-mould and transport	n	4	4

Load capacity when lifting and transporting at the manufacturing plant.

Concrete strength when de-mould	≥ 25 MPa
Cable angle factor	$z = 1.16$ ($\beta = 30.0^\circ$)
Lifting load coefficient when transporting	$f = 1.3$
Lifting load coefficient when de-mould	$f = 1.0$
Anchor number	$n = 4$

$$G = V \times \rho = (A \times L) \times \rho = (A1 + A2 \times 2) \times L \times \rho = (0.1 \times 3 + 0.09 \times 2) \times 8.5 \times 25 = 102 \text{ kN}$$

$$L = 8.5 \text{ m}$$

$$A1 = 0.1 \times 3 \text{ (m}^2\text{)}$$

$$A2 = [(35 + 25) \times 30] / 2 \text{ (cm}^2\text{)}$$

$$A2 = [(0.35 + 0.25) \times 0.3] / 2 = (0.6 \times 0.3) / 2 = 0.09 \text{ (m}^2\text{)}$$

Weight: $G = 102 \text{ kN}$

Adhesion to mould $Ha = 2 \times G = 204 \text{ kN}$

Total load $F_{tot} = G + Ha = 102 + 204 = 306 \text{ kN}$

LOAD PER ANCHOR WHEN DE-MOULD:

$$F = \frac{F_{tot} \times f \times z}{n} = \frac{[(G + Ha) \times f \times z]}{n} = \frac{306 \times 1.0 \times 1.16}{4} = 88.74 \text{ kN}$$

LOAD PER ANCHOR WHEN TRANSPORTING:

$$F = \frac{F_{tot} \times f \times z}{n} = \frac{G \times f \times z}{n} = \frac{102 \times 1.3 \times 1.16}{4} = 38.46 \text{ kN}$$

An anchor in the 100 kN range is required ($> 88.74 \text{ kN}$)



LIFTING ANCHORS

T – SLOT ANCHOR

BASIC PRINCIPLES FOR ANCHOR SELECTION

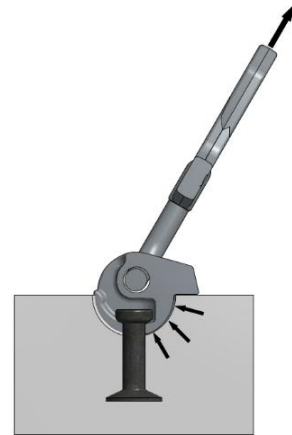
The T Slot Anchors are forged from round steel and have a design load capacity in the range of 13kN to 320kN. Suitable for large precast elements such as slabs, beams, panels, pipes. Anchors from 13 kN to 320 kN are made of S355J2 steel and the 450 kN anchors are made of alloyed steel 42CrMo4 (w1.7225-EN-10083-1). Anchors in the same load group are available in various lengths. Longer anchors are installed for reduced edge spacing or for low concrete strengths. The load on the anchor is transferred to the concrete through the anchor foot.



13 kN to 450 kN

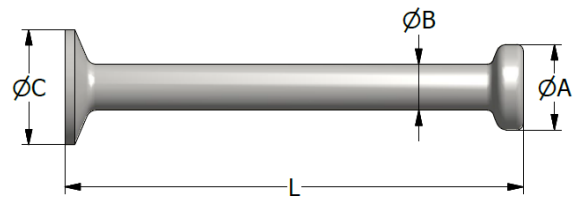


Load transfer to the anchor foot



Angled lifting

The anchors must be fixed in the mould using recess formers. The recess former holds the anchor securely in position during the concrete pour. The recess former creates a void around the anchor head which corresponds to the lifting system head (shackle). Incorrect coupling of parts of different load groups is not possible. Another advantage is that the shackle rests against the concrete during angled pull and therefore the horizontal load is transferred directly to the concrete. For this reason additional reinforcement is not required in large units. In thin walls, additional reinforcement is necessary for angled lift, to absorb the transversal pulling forces.



T slot black		T slot - hot dip galvanized		T slot stainless steel 1.4301 (AISI 304)		Load group kN	L mm	ØA mm	ØB mm	ØC mm
Description	Prod. No.	Description	Prod. No.	Description	Prod. No.					
Lifting clutch load group 13 kN										
T-013-0040	43177	T-013-0040-TV	43178	T-013-0040-SS2	44405	13	40	19	10	25
T-013-0050	43180	T-013-0050-TV	43181	T-013-0050-SS2	43179	13	50	19	10	25
T-013-0055	43182	T-013-0055-TV	43183	T-013-0055-SS2	44406	13	55	19	10	25
T-013-0065	43184	T-013-0065-TV	43185	T-013-0065-SS2	43186	13	65	19	10	25
T-013-0085	43187	T-013-0085-TV	43188	T-013-0085-SS2	43189	13	85	19	10	25
T-013-0120	43190	T-013-0120-TV	43191	T-013-0120-SS2	43192	13	120	19	10	25
T-013-0240	43193	T-013-0240-TV	43194	T-013-0240-SS2	44407	13	240	19	10	25
Lifting clutch load group 25 kN										
T-025-0045	43808	T-025-0045-TV	43809	T-025-0045-SS2	44408	25	45	26	14	35
T-025-0055	43195	T-025-0055-TV	43196	T-025-0055-SS2	44409	25	55	26	14	35
T-025-0065	43197	T-025-0065-TV	43198	T-025-0065-SS2	61850	25	65	26	14	35



T-025-0070	43199	T-025-0070-TV	43200	T-025-0070-SS2	61851	25	70	26	14	35
T-025-0085	43201	T-025-0085-TV	43202	T-025-0085-SS2	43203	25	85	26	14	35
T-025-0100	43204	T-025-0100-TV	43205	T-025-0100-SS2	61852	25	100	26	14	35
T-025-0120	43206	T-025-0120-TV	43207	T-025-0120-SS2	43208	25	120	26	14	35
T-025-0140	43209	T-025-0140-TV	43817	T-025-0140-SS2	61853	25	140	26	14	35
T-025-0170	43210	T-025-0170-TV	43211	T-025-0170-SS2	43212	25	170	26	14	35
T-025-0210	43820	T-025-0210-TV	44960	T-025-0210-SS2	61854	25	210	26	14	35
T-025-0240	44961	T-025-0240-TV	44962	T-025-0240-SS2	61855	25	240	26	14	35
T-025-0280	43213	T-025-0280-TV	43214	T-025-0280-SS2	61856	25	280	26	14	35
Lifting clutch load group 50 kN										
T-040-0055	43821	T-040-0055-TV	43822	T-040-0055-SS2	63308	40	55	36	18	45
T-040-0065	43823	T-040-0065-TV	43824	T-040-0065-SS2	63309	40	65	36	18	45
T-040-0070	43825	T-040-0070-TV	43826	T-040-0070-SS2	63310	40	70	36	18	45
T-040-0075	43771	T-040-0075-TV	43772	T-040-0075-SS2	43773	40	75	36	18	45
T-040-0080	43774	T-040-0080-TV	43775	T-040-0080-SS2	43776	40	80	36	18	45
T-040-0095	43777	T-040-0095-TV	43778	T-040-0095-SS2	43779	40	95	36	18	45
T-040-0110	43827	T-040-0110-TV	43828	T-040-0110-SS2	63311	40	110	36	18	45
T-040-0120	43780	T-040-0120-TV	43781	T-040-0120-SS2	43782	40	120	36	18	45
T-040-0140	43829	T-040-0140-TV	43830	T-040-0140-SS2	63312	40	140	36	18	45
T-040-0160	43831	T-040-0160-TV	43832	T-040-0160-SS2	63313	40	160	36	18	45
T-040-0170	43833	T-040-0170-TV	43972	T-040-0170-SS2	63314	40	170	36	18	45
T-040-0180	43783	T-040-0180-TV	43784	T-040-0180-SS2	43785	40	180	36	18	45
T-040-0210	43786	T-040-0210-TV	43787	T-040-0210-SS2	43788	40	210	36	18	45
T-040-0240	43789	T-040-0240-TV	43790	T-040-0240-SS2	43791	40	240	36	18	45
T-040-0340	43792	T-040-0340-TV	43793	T-040-0340-SS2	43794	40	340	36	18	45
Lifting clutch load group 50 kN										
T-050-0055	43536	T-050-0055-TV	63299	T-050-0055-SS2	61857	50	55	36	20	50
T-050-0065	43215	T-050-0065-TV	43216	T-050-0065-SS2	61858	50	65	36	20	50
T-050-0075	43217	T-050-0075-TV	43218	T-050-0075-SS2	61859	50	75	36	20	50
T-050-0080	43219	T-050-0080-TV	43220	T-050-0080-SS2	61860	50	80	36	20	50
T-050-0085	43834	T-050-0085-TV	43221	T-050-0085-SS2	60235	50	85	36	20	50
T-050-0095	43222	T-050-0095-TV	43223	T-050-0095-SS2	61861	50	95	36	20	50
T-050-0110	43224	T-050-0110-TV	43835	T-050-0110-SS2	61862	50	110	36	20	50
T-050-0120	43225	T-050-0120-TV	43226	T-050-0120-SS2	43227	50	120	36	20	50
T-050-0140	43228	T-050-0140-TV	43836	T-050-0140-SS2	61863	50	140	36	20	50
T-050-0150	43837	T-050-0150-TV	43838	T-050-0150-SS2	61864	50	150	36	20	50
T-050-0160	43229	T-050-0160-TV	43230	T-050-0160-SS2	61865	50	160	36	20	50
T-050-0170	46267	T-050-0170-TV	48684	T-050-0170-SS2	61866	50	170	36	20	50
T-050-0180	43231	T-050-0180-TV	43232	T-050-0180-SS2	43233	50	180	36	20	50
T-050-0210	43234	T-050-0210-TV	43235	T-050-0210-SS2	61867	50	210	36	20	50
T-050-0240	43236	T-050-0240-TV	43237	T-050-0240-SS2	43238	50	240	36	20	50
T-050-0340	43239	T-050-0340-TV	43240	T-050-0340-SS2	61868	50	340	36	20	50
T-050-0480	43839	T-050-0480-TV	43840	T-050-0480-SS2	61869	50	480	36	20	50
T-050-0680	43604	T-050-0680-TV	46342	T-050-0680-SS2	61870	50	680	36	20	50
Lifting clutch load group 100 kN										
T-075-0100	47482	T-075-0100-TV	43626	T-075-0100-SS2	61873	75	100	46	24	60
T-075-0120	43244	T-075-0120-TV	43245	T-075-0120-SS2	43246	75	120	46	24	60
T-075-0140	43842	T-075-0140-TV	43973	T-075-0140-SS2	61874	75	140	46	24	60
T-075-0150	43247	T-075-0150-TV	43248	T-075-0150-SS2	61875	75	150	46	24	60
T-075-0160	43249	T-075-0160-TV	43250	T-075-0160-SS2	61876	75	160	46	24	60
T-075-0165	43251	T-075-0165-TV	43252	T-075-0165-SS2	60537	75	165	46	24	60
T-075-0170	43253	T-075-0170-TV	43974	T-075-0170-SS2	61877	75	170	46	24	60
T-075-0200	43254	T-075-0200-TV	43255	T-075-0200-SS2	61878	75	200	46	24	60
T-075-0240	44963	T-075-0240-TV	44964	T-075-0240-SS2	61879	75	240	46	24	60
T-075-0280	48043	T-075-0280-TV	48044	T-075-0280-SS2	61880	75	280	46	24	60
T-075-0300	43256	T-075-0300-TV	43257	T-075-0300-SS2	43258	75	300	46	24	60
T-075-0540	43259	T-075-0540-TV	43260	T-075-0540-SS2	61881	75	540	46	24	60
T-075-0680	43843	T-075-0680-TV	43844	T-075-0680-SS2	61882	75	680	46	24	60
Lifting clutch load group 100 kN										
T-100-0115	43266	T-100-0115-TV	43267	T-100-0115-SS2	43268	100	115	46	28	70
T-100-0120	43269	T-100-0120-TV	43270	T-100-0120-SS2	61888	100	120	46	28	70



T-100-0135	43271	T-100-0135-TV	43272	T-100-0135-SS2	60134	100	135	46	28	70
T-100-0140	43847	T-100-0140-TV	61890	T-100-0140-SS2	61889	100	140	46	28	70
T-100-0150	43273	T-100-0150-TV	43274	T-100-0150-SS2	61891	100	150	46	28	70
T-100-0170	43275	T-100-0170-TV	43276	T-100-0170-SS2	43277	100	170	46	28	70
T-100-0200	43848	T-100-0200-TV	44965	T-100-0200-SS2	61892	100	200	46	28	70
T-100-0220	43278	T-100-0220-TV	43849	T-100-0220-SS2	61893	100	220	46	28	70
T-100-0250	43279	T-100-0250-TV	43280	T-100-0250-SS2	60087	100	250	46	28	70
T-100-0340	43281	T-100-0340-TV	43282	T-100-0340-SS2	43283	100	340	46	28	70
T-100-0500	43514	T-100-0500-TV	61895	T-100-0500-SS2	61894	100	500	46	28	70
T-100-0540	47481	T-100-0540-TV	61897	T-100-0540-SS2	61896	100	540	46	28	70
T-100-0650	43284	T-100-0650-TV	43850	T-100-0650-SS2	61898	100	650	46	28	70
T-100-0680	43285	T-100-0680-TV	43286	T-100-0680-SS2	61899	100	680	46	28	70
T-100-1300	45168	T-100-1300-TV	61901	T-100-1300-SS2	61900	100	1300	46	28	70
Lifting clutch load group 200 kN										
T-150-0140	43851	T-150-0140-TV	43852	T-150-0140-SS2	61902	150	140	70	38	80
T-150-0150	43853	T-150-0150-TV	43854	T-150-0150-SS2	61903	150	150	70	38	80
T-150-0165	43287	T-150-0165-TV	43288	T-150-0165-SS2	61904	150	165	70	38	80
T-150-0170	43855	T-150-0170-TV	61906	T-150-0170-SS2	61905	150	170	70	38	80
T-150-0200	43856	T-150-0200-TV	43857	T-150-0200-SS2	60133	150	200	70	38	80
T-150-0210	43289	T-150-0210-TV	43290	T-150-0210-SS2	61907	150	210	70	38	80
T-150-0300	43291	T-150-0300-TV	43292	T-150-0300-SS2	61908	150	300	70	38	80
T-150-0400	43293	T-150-0400-TV	43294	T-150-0400-SS2	62536	150	400	70	38	80
T-150-0840	43295	T-150-0840-TV	43296	T-150-0840-SS2	61909	150	840	70	38	80
Lifting clutch load group 200 kN										
T-200-0200	43298	T-200-0200-TV	44966	T-200-0200-SS2	61916	200	200	70	40	98
T-200-0240	43859	T-200-0240-TV	61918	T-200-0240-SS2	61917	200	240	70	40	98
T-200-0250	43299	T-200-0250-TV	43300	T-200-0250-SS2	61919	200	250	70	40	98
T-200-0340	43301	T-200-0340-TV	43302	T-200-0340-SS2	61920	200	340	70	40	98
T-200-0500	43303	T-200-0500-TV	43304	T-200-0500-SS2	61921	200	500	70	40	98
T-200-1000	43305	T-200-1000-TV	43515	T-200-1000-SS2	61922	200	1000	70	40	98
Lifting clutch load group 320 kN										
T-320-0280	43516	T-320-0280-TV	43306	T-320-0280-SS2	61925	320	280	88	50	135
T-320-0320	46086	T-320-0320-TV	46087	T-320-0320-SS2	61926	320	320	88	50	135
T-320-0500	43517	T-320-0500-TV	43307	T-320-0500-SS2	61927	320	500	88	50	135
T-320-0700	43518	T-320-0700-TV	43308	T-320-0700-SS2	61928	320	700	88	50	135
T-320-1200	43519	T-320-1200-TV	43309	T-320-1200-SS2	61929	320	1200	88	50	135
Lifting clutch load group 450 kN										
T-450-0280	44567	T-450-0280-TV	44571	T-450-0280-SS2	/	450	280	88	50	135
T-450-0500	44568	T-450-0500-TV	44572	T-450-0500-SS2	/	450	500	88	50	135
T-450-0700	44569	T-450-0700-TV	44573	T-450-0700-SS2	/	450	700	88	50	135
T-450-1200	44570	T-450-1200-TV	44574	T-450-1200-SS2	/	450	1200	88	50	135

T- anchors are available in three versions: shot blasting, hot dip galvanized (TV) or stainless steel (SS2) on request.

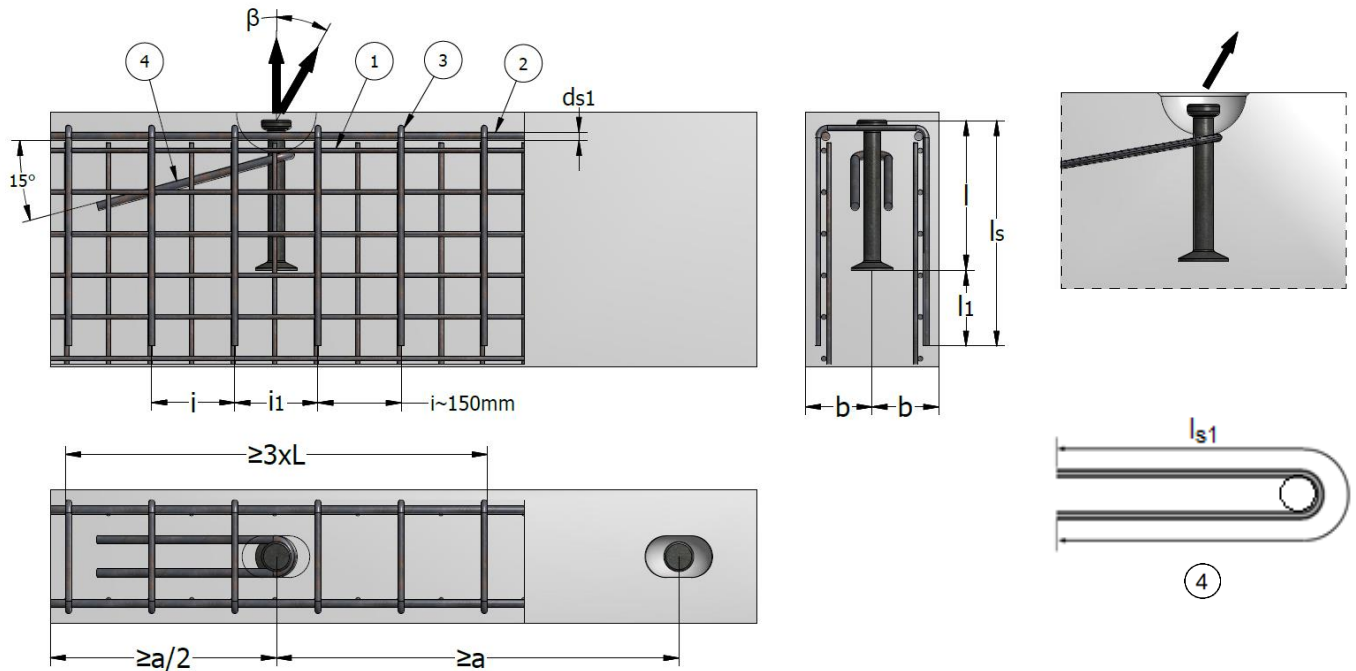
Type T Anchor	Load Group	"R"	"e"	
Description	[kN]	[mm]	[mm]	
T-013-XXXX	13	30	10	
T-025-XXXX	25	37	11	
T-040-XXXX	40	47	15	
T-050-XXXX	50	47	15	
T-075-XXXX	75	59	15	
T-100-XXXX	100	59	15	
T-150-XXXX	150	80	15	
T-200-XXXX	200	80	15	
T-320-XXXX	320	102	23	
T-450-XXXX	450	102	23	

- L = anchor length
- $a/2$ = edge distance
- e = cover to anchor head
- R = recess radius

T-ANCHOR – INSTALATION AND REINFORCEMENT

REINFORCEMENT USED IN ANCHOR ZONE FOR ANGLED LIFT IN PANELS OR BEAMS

For angled pull additional reinforcement installed in the direction opposite of the load is required. Installing this angled pull reinforcement as close as possible under the recess former and in full contact with the anchor is recommended. The additional reinforcements necessary in the anchor zone for lifting the panels and beams at angles $\beta \leq 45^\circ$ are shown in the figures below and in next table. The concrete strength must be at least 15 MPa. We recommend that angle β should not exceed 30° .



Note:

The bend radius will be determined according to EN 1992.

The diagonal reinforcement must be placed as close as possible under the recess former and installed so it is in contact with the lifting anchor.

The reinforced zone must be $\geq 3 \times$ anchor length "L". The two stirrups near the anchor should be installed as close as possible to the recess former.

Length $l_s = l_1 + \text{Anchor length}$

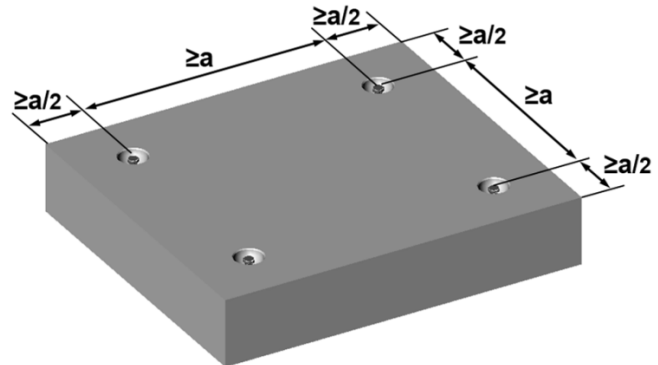
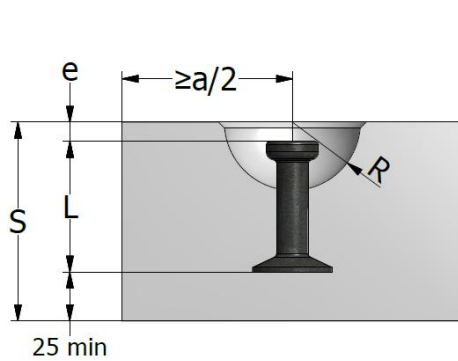
The dimensions in the illustrations are in [mm]

Type of anchor	Load Group	Mesh reinforcement ①	Edge reinforcement B500B (both sides) ②	Stirrups - B500B ③						Angled pull reinforcement B500B ④
				Axial pull $\beta < 30^\circ$			Angled pull $\beta > 30^\circ$ max. 45°			
				d_{s1}	Number of stirrups	„d”	„l1”	Number of stirrups	„d”	
Symbol	[kN]	[mm ² /m]	[mm]	[pcs]	[mm]	[mm]	[pcs]	[mm]	[mm]	[mm]
T-013-0xxx	13	2 x 60	$\varnothing 10$	≥ 2	$\varnothing 6$	300	≥ 2	$\varnothing 6$	450	$\varnothing 8 \times 800$
T-025-0xxx	25	2 x 100	$\varnothing 10$	≥ 2	$\varnothing 8$	600	≥ 4	$\varnothing 8$	600	$\varnothing 10 \times 1500$
T-040-0xxx	40	2 x 125	$\varnothing 10$	≥ 2	$\varnothing 8$	600	≥ 4	$\varnothing 8$	600	$\varnothing 12 \times 1600$
T-050-0xxx	50	2 x 140	$\varnothing 12$	≥ 2	$\varnothing 10$	750	≥ 4	$\varnothing 10$	750	$\varnothing 16 \times 2000$
T-075-0xxx	75	2 x 160	$\varnothing 12$	≥ 4	$\varnothing 10$	750	≥ 6	$\varnothing 10$	750	$\varnothing 16 \times 2300$
T-100-0xxx	100	2 x 180	$\varnothing 12$	≥ 4	$\varnothing 10$	750	≥ 8	$\varnothing 10$	750	$\varnothing 20 \times 2600$
T-150-0xxx	150	2 x 240	$\varnothing 16$	≥ 4	$\varnothing 12$	800	≥ 6	$\varnothing 12$	1000	$\varnothing 25 \times 3000$
T-200-0xxx	200	2 x 350	$\varnothing 16$	≥ 6	$\varnothing 12$	1000	≥ 10	$\varnothing 12$	1000	2 x $\varnothing 25 \times 3400$
T-320-0xxx	320	2 x 400	$\varnothing 16$	≥ 8	$\varnothing 12$	1000	≥ 10	$\varnothing 14$	1100	2 x $\varnothing 25 \times 3400$



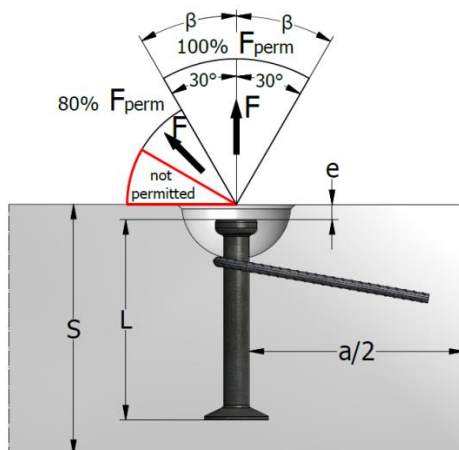
T-450-0xxx	450	2 x 500	Ø 20	≥ 10	Ø14	1400	≥ 12	Ø14	1450	2 x Ø25 x 3400
------------	-----	---------	------	------	-----	------	------	-----	------	----------------

INSTALLATION OF T- ANCHOR IN SLABS



L = anchor length
a/2 = edge distance
e = cover to anchor head
R = recess radius

For slab units or de-mould of panels the edge distance of the "T" anchor (*a*) is: $a/2 = 3 \times (L + e)$



• **Angled pull of $30^\circ \leq \beta \leq 45^\circ$ with no angled pull reinforcement is only permitted for:**

- $f_{cu} \geq 15 \text{ MPa} + 3 \text{ times min. edge distance } a/2$
- $f_{cu} \geq 25 \text{ MPa} + 2.5 \text{ times min. edge distance } a/2$
- $f_{cu} \geq 35 \text{ MPa} + 2 \text{ times min. edge distance } a/2$

• **Angled pull with cable/chain spread of $\beta > 45^\circ$ is not permitted**

Required reinforcement

- Mesh reinforcement - ①
- Angled pull reinforcement - ④

T- ANCHOR – LOAD CAPACITY IN SLABS FOR ANY DIRECTION OF PULL

Type of anchor	Load group	Minimum thickness <i>s</i>	Load capacity for minimum thickness				Minimum spacing between anchors <i>a</i>
			Axial pull $\beta < 30^\circ$	Angled pull $\beta < 45^\circ$	Axial pull and angled pull $\beta < 45^\circ$		
			$f_{cu} \geq 15 \text{ MPa}$	$f_{cu} \geq 15 \text{ MPa}$	$f_{cu} \geq 25 \text{ MPa}$	$f_{cu} \geq 35 \text{ MPa}$	
[kN]	[mm]	[kN]	[kN]	[kN]	[kN]	[mm]	
T-013-0040	13	75	3.0	2.4	3.9	4.6	180
T-013-0050		85	10.1	10.1	13.0	13.0	220
T-013-0065		100	13.0	11.1			260
T-013-0085		120	13.0	13.0			315
T-013-0120		155	375				
T-025-0055	25	90	4.7	3.8	6.1	7.2	240
T-025-0065		100	13.8	13.8	7.2	21.1	285
T-025-0085		120	19.5	19.5	17.8	25.0	325
T-025-0120		155	25.0	22.8	25.0		410

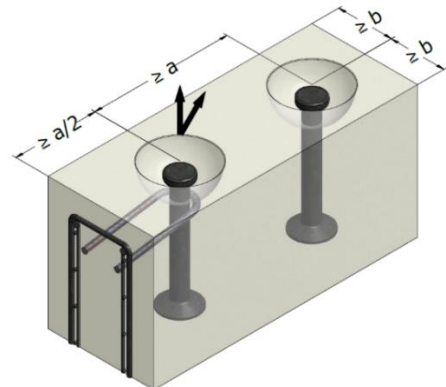
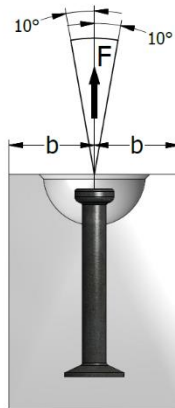
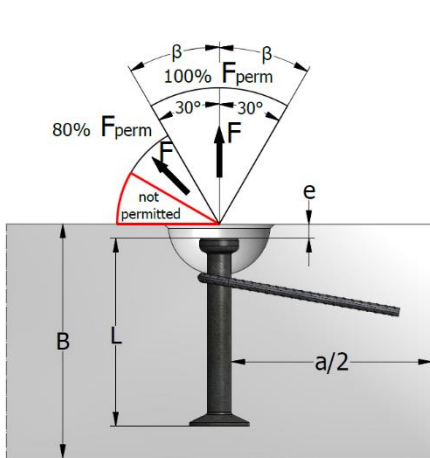


T- ANCHOR – LOAD CAPACITY IN SLABS FOR ANY DIRECTION OF PULL

Type of anchor	Load group	Minimum thickness	Load capacity for minimum thickness				Minimum spacing between anchors
			Axial pull $\beta < 30^\circ$	Angled pull $\beta < 45^\circ$	Axial pull and angled pull $\beta < 45^\circ$		
		s	$f_{cu} \geq 15 \text{ MPa}$	$f_{cu} \geq 15 \text{ MPa}$	$f_{cu} \geq 25 \text{ MPa}$	$f_{cu} \geq 35 \text{ MPa}$	a
		[kN]	[mm]	[kN]	[kN]	[kN]	[kN]
T-025-0170		205		25.0			520
T-040-0075	40	115	17.5	17.5	22.6	26.8	325
T-040-0100		140	25.3	25.3	32.7	38.6	350
T-040-0170		210	40.0	40.0	40.0	40.0	565
T-040-0210		250					650
T-050-0085		50	125	20.1	20.1	26.0	30.8
T-050-0095	135		23.3	23.3	30.0	35.5	400
T-050-0120	160		31.7	31.7	41.0	48.5	475
T-050-0180	220		50.0	44.4	50.0	50.0	630
T-050-0240	280			50.0			735
T-075-0100	75	140	24.5	24.5	31.6	37.4	415
T-075-0120		160	31.3	31.3	40.4	47.8	490
T-075-0140		180	38.6	38.6	49.9	59.0	550
T-075-0165		205	48.6	48.6	62.7	74.2	620
T-075-0200		240	63.8	60.0	75.0	75.0	710
T-075-0300		340	75.0	75.0			910
T-100-0115	100	155	29.1	29.2	37.5	44.4	470
T-100-0135		175	36.3	36.3	46.8	55.4	550
T-100-0150		190	42.0	42.0	54.3	64.2	590
T-100-0170		210	50.2	50.2	64.8	76.6	655
T-100-0200		240	63.2	63.2	81.7	96.6	730
T-100-0250		290	87.3	80.0	100.0	100.0	890
T-100-0340		380	100.0	100.0	100.0	100.0	1025
T-150-0140	150	180	37.5	37.5	48.6	57.2	560
T-150-0165		205	47.3	47.3	61.1	72.3	640
T-150-0200		240	62.4	62.4	80.6	95.3	730
T-150-0300		340	113.0	113.0	145.8	150.0	1020
T-150-0400		440	150.0	138.6	150.0	150.0	1195
T-200-0200	200	240	61.6	61.6	79.5	94.1	780
T-200-0240		280	80.5	80.5	103.9	122.9	900
T-200-0340		380	134.9	134.9	174.2	200.0	1175
T-200-0500		540	200.0	192.6	200.0	200.0	1485
T-320-0200	320	248	62.4	62.4	80.5	95.3	800
T-320-0250		298	86.4	86.4	111.5	132.0	1000
T-320-0280		328	102.1	102.1	131.8	155.9	1065
T-320-0320		368	124.4	124.4	160.6	190.0	1120

INSTALLATION OF T- ANCHOR IN BEAMS AND WALLS

LOAD CAPACITY IN BEAMS AND WALLS WITH NO SPECIAL REINFORCEMENTS



The angled pull reinforcement must be mounted opposite the direction of the load

The diagonal reinforcement must be placed as close as possible under the recess former and installed so it is in contact with the lifting anchor.

NOTES:

Required reinforcement (see page 20)

- Mesh reinforcement - ①
- Angled pull reinforcement - ④





- **Angled pull of $30^\circ \leq \beta \leq 45^\circ$ with no angled pull reinforcement is only permitted for:**
 - $f_{cu} \geq 15 \text{ MPa} + 3 \text{ times min. edge distance } a/2$
 - $f_{cu} \geq 25 \text{ MPa} + 2.5 \text{ times min. edge distance } a/2$
 - $f_{cu} \geq 35 \text{ MPa} + 2 \text{ times min. edge distance } a/2$
- **Angled pull with cables/chains spread of $\beta > 45^\circ$ is not permitted**

T- ANCHOR – LOAD CAPACITY IN BEAMS AND WALLS WITH NO SPECIAL REINFORCEMENTS

Type of anchor	Load group	Minimum height of beams B	Wall thickness 2 x b	Load capacity				Spacing between anchors a
				Axial pull $\beta < 30^\circ$	Angled pull $\beta < 45^\circ$	Axial pull and angled pull $\beta < 45^\circ$		
				$f_{cu} \geq 15 \text{ MPa}$	$f_{cu} \geq 15 \text{ MPa}$	$f_{cu} \geq 25 \text{ MPa}$	$f_{cu} \geq 35 \text{ MPa}$	[kN]
T-013-0085	13	180	100	12.2	9.8	13.0	13.0	270
			120	13.0	11.2			
			140	13.0	12.5			
T-013-0120	13	250	80	13.0	10.7	13.0	13.0	375
			100	13.0	12.7			
			120	13.0	13.0			
T-013-0240	490	250	60	9.9	9.9	12.7	13.0	735
			80	13.0	13.0	13.0		
			100	13.0	13.0	13.0		
T-025-0120	25	250	120	18.1	14.5	23.3	25.0	375
			140	20.3	16.2	25.0		
			160	22.4	17.9	25.0		
T-025-0170	25	350	100	20.7	16.5	25.0	25.0	525
			120	23.7	19.0	25.0		
			140	25.0	21.3	25.0		
T-025-0280	570	250	80	18.4	18.4	23.8	25.0	855
			100	23.0	23.0	25.0		
			120	25.0	25.0	25.0		
T-040-0170	40	347	160	29.8	23.8	38.5	40.0	535
			180	32.5	26.0	40.0		
			200	35.2	28.2	40.0		
T-040-0240	40	487	120	31.3	25.1	40.0	40.0	745
			140	35.2	28.1			
			160	38.9	31.1			
T-040-0340	687	250	100	29.6	28.7	38.2	40.0	1045
			120	35.6	32.9	40.0		
			140	40.0	36.9	40.0		

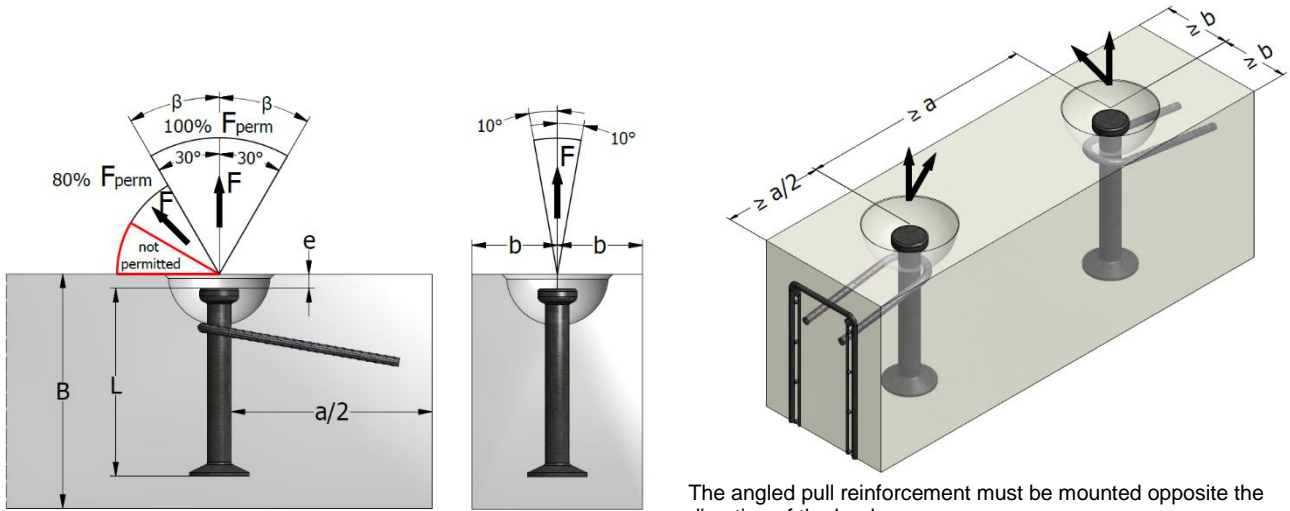


T- ANCHOR – LOAD CAPACITY IN BEAMS AND WALLS WITH NO SPECIAL REINFORCEMENTS

Type of anchor	Load group	Minimum height of beams B	Wall thickness 2 x b	Load capacity				Spacing between anchors a
				Axial pull $\beta < 30^\circ$	Angled pull $\beta < 45^\circ$	Axial pull and angled pull $\beta < 45^\circ$		
				$f_{cu} \geq 15 \text{ MPa}$ 	$f_{cu} \geq 15 \text{ MPa}$ 	$f_{cu} \geq 25 \text{ MPa}$ 	$f_{cu} \geq 35 \text{ MPa}$ 	
[kN]	[mm]	[mm]	[kN]	[kN]	[kN]	[kN]	[mm]	
T-050-0240	50	490	200	45.7	36.5	50.0	50.0	735
			220	49.1	39.2			
			240	50.0	41.9			
T-050-0340	50	690	160	50.0	40.6	50.0	50.0	1035
			180	50.0	44.4			
			200	50.0	48.0			
T-050-0480	50	970	140	46.1	46.1	50.0	50.0	1455
			160	50.0	50.0			
			180	50.0	50.0			
T-075-0200	75	410	240	45.1	36.0	58.2	68.8	610
			260	47.8	38.3	61.8	73.1	
			280	50.6	40.5	65.3	75.0	
T-075-0300	75	610	200	54.1	43.3	69.9	75.0	910
			220	58.1	46.5	75.0	75.0	
			240	62.2	49.7	75.0	75.0	
T-075-0540	75	1090	160	63.2	58.4	75.0	75.0	1630
			180	71.1	63.8	75.0	75.0	
			200	75.0	69.1	75.0	75.0	
T-100-0170	100	340	300	46.4	37.2	60.0	70.9	520
			350	52.1	41.7	67.3	79.6	
			400	57.6	46.1	74.4	88.0	
T-100-0340	100	680	280	76.6	61.3	98.9	100.0	1030
			300	80.7	64.5	100.0	100.0	
			320	84.7	67.7	100.0	100.0	
T-100-0680	100	1360	160	73.7	70.0	95.2	100.0	2050
			180	83.0	76.5	100.0	100.0	
			200	92.2	82.8	100.0	100.0	
T-150-0300	150	600	350	81.3	65.0	104.9	124.2	900
			400	89.5	71.9	116.0	137.2	
			500	106.2	85.0	137.1	150.0	
T-150-0400	150	800	350	102.5	82.0	132.3	150.0	1200
			400	113.2	90.6	146.2	150.0	
			450	123.7	99.0	150.0	150.0	
T-150-0840	150	1680	300	150.0	132.5	150.0	150.0	2520
			340	150.0	145.5	150.0	150.0	
			380	150.0	150.0	150.0	150.0	
T-200-0340	200	670	500	116.6	93.3	150.6	178.2	1010
			750	158.1	126.5	200.0	200.0	
			1000	196.2	156.9	200.0	200.0	
T-200-0500	200	990	400	134.8	107.9	174.1	200.0	1490
			500	159.4	127.5	200.0	200.0	
			600	182.8	146.2	200.0	200.0	
T-200-1000	200	1990	240	154.9	128.6	200.0	200.0	3000
			300	190.0	152.0	200.0	200.0	
			330	200.0	163.2	200.0	200.0	
T-320-0320	320	630	600	126.7	101.3	163.5	193.5	940
			800	157.2	125.7	202.9	240.1	
			1200	177.2	141.8	228.8	270.1	
T-320-0700	320	1390	500	208.6	166.9	269.4	318.7	2080
			600	239.2	191.4	308.8	320.0	
			750	282.8	226.2	320.0	320.0	
T-320-1200	320	2390	400	272.5	218.0	320.0	320.0	3580
			450	297.7	238.2	320.0	320.0	
			500	320.0	257.8	320.0	320.0	
T-450-0500	450	990	800	226.0	180.8	291.8	345.3	1480
			1000	267.2	213.8	345.0	408.2	
			1500	358.4	286.7	450.0	450.0	
T-450-1200	450	2400	500	322.2	257.8	416.0	450	3580
			600	369.4	295.5	450.0	450	
			750	436.7	349.4	450.0	450	



LOAD CAPACITY IN WALLS WITH ADDITIONAL REINFORCEMENTS



The angled pull reinforcement must be mounted opposite the direction of the load
The diagonal reinforcement must be placed as close as possible under the recess former and installed so it is in contact with the lifting anchor.

NOTES:

Required reinforcement (see page 20)

- Mesh reinforcement - ①
- Edge reinforcement - ②
- Stirrups - ③
- Angled pull reinforcement - ④

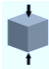
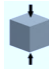

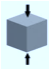
- **Angled pull of $30^\circ \leq \beta \leq 45^\circ$ with no angled pull reinforcement is only permitted for:**
 - $f_{cu} \geq 15 \text{ MPa}$ + 3 times min. edge distance $a/2$
 - $f_{cu} \geq 25 \text{ MPa}$ + 2.5 times min. edge distance $a/2$
 - $f_{cu} \geq 35 \text{ MPa}$ + 2 times min. edge distance $a/2$
- **Angled pull with cables/chains spread of $\beta > 45^\circ$ is not permitted**

T- ANCHOR – LOAD CAPACITY IN WALLS WITH ADDITIONAL REINFORCEMENTS

Type of anchor	Load group	Wall thickness 2 x b	Load capacity				Spacing between anchors a
			Axial pull $\beta < 30^\circ$	Angled pull $\beta < 45^\circ$	Axial pull and angled pull $\beta < 45^\circ$		
			$f_{cu} \geq 15 \text{ MPa}$	$f_{cu} \geq 15 \text{ MPa}$	$f_{cu} \geq 25 \text{ MPa}$	$f_{cu} \geq 35 \text{ MPa}$	
[kN]	[mm]	[kN]	[kN]	[kN]	[kN]	[mm]	
T-013-0120	13	60	9.9	9.9	12.8	13.0	375
		80	13.0	13.0	13.0		
		100	13.0	13.0	13.0		
T-013-0240	13	60	9.9	9.9	12.8	13.0	735
		80	13.0	13.0	13.0		
		100	13.0	13.0	13.0		
T-025-0170	25	80	18.4	18.4	23.8	25.0	525
		100	23.0	23.0	25.0		
		120	25.0	25.0	25.0		
T-025-0280	25	80	18.4	18.4	23.8	25.0	855
		100	23.0	23.0	25.0		
		120	25.0	25.0	25.0		
T-040-0240	40	120	35.6	35.6	40.0	40.0	745
		140	40.0	36.0			
		160	40.0	38.5			
T-040-0340	40	100	29.6	29.6	38.2	40.0	1045
		120	35.6	35.6			
		140	40.0	40.0			
T-050-0240	50	160	50.0	45.2	50.0	50.0	735
		180	50.0	48.0			
		200	50.0	50.0			
T-050-0340	50	120	39.5	39.5	50.0	50.0	1035
		140	46.1	46.1			
		160	50.0	50.0			



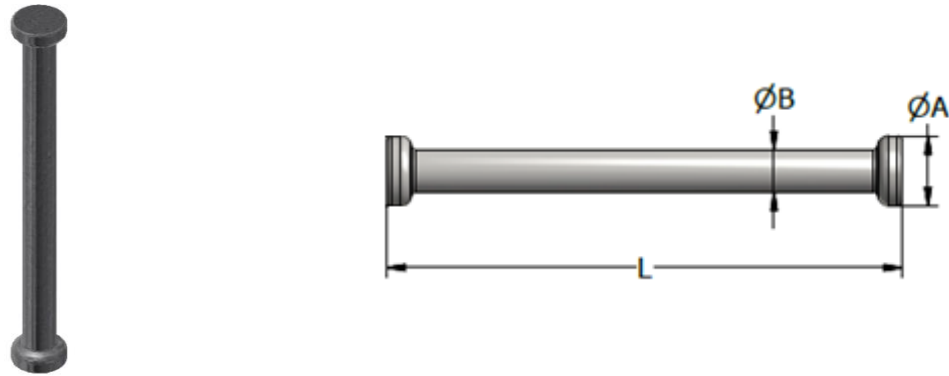
T- ANCHOR – LOAD CAPACITY IN WALLS WITH ADDITIONAL REINFORCEMENTS

Type of anchor	Load group	Wall thickness 2 x b	Load capacity				Spacing between anchors a
			Axial pull $\beta < 30^\circ$	Angled pull $\beta < 45^\circ$	Axial pull and angled pull $\beta < 45^\circ$		
			$f_{cu} \geq 15 \text{ MPa}$ 	$f_{cu} \geq 15 \text{ MPa}$ 	$f_{cu} \geq 25 \text{ MPa}$ 	$f_{cu} \geq 35 \text{ MPa}$ 	
[kN]	[mm]	[kN]	[kN]	[kN]	[kN]	[mm]	
T-050-0480		100	32.9	32.9	42.5	50.0	1455
		120	39.5	39.5	50.0		
		140	46.1	46.1	50.0		
T-075-0300	75	160	63.2	56.6	75.0	75.0	910
		180	71.1	60.0			
		200	75.0	63.2			
T-075-0540	75	140	55.3	55.3	71.4	75.0	1630
		160	63.2	63.2	75.0		
		180	71.1	71.1	75.0		
T-100-0340	100	200	89.5	71.6	100.0	100.0	1030
		240	98.0	78.4			
		280	100.0	84.7			
T-100-0680	100	160	73.7	73.7	95.2	100.0	2050
		180	83.0	83.0	100.0		
		200	92.2	92.2	100.0		
T-150-0400	150	300	128.9	103.1	150.0	150.0	1200
		400	148.9	119.1			
		500	150.0	133.1			
T-150-0840	150	200	111.9	111.9	144.5	150.0	2520
		220	123.1	123.1	150.0		
		240	134.2	134.2	150.0		
T-200-0500	200	400	175.1	140.1	200.0	200.0	200.0
		500	187.2	149.7			
		600	200.0	183.4			
T-200-1000	200	240	154.9	154.9	200.0	200.0	200.0
		260	167.8	167.8			
		280	180.7	180.7			
T-320-0700	320	450	282.6	226.1	320.0	320.0	2080
		550	312.5	250.0			
		650	320.0	271.8			
T-320-1200	320	300	266.7	266.7	320.0	320.0	3580
		350	311.1	311.1			
		400	320.0	320.0			
T-450-1200	450	400	355.5	355.5	450	450	3580
		500	444.4	421.6			
		600	450.0	450.0			



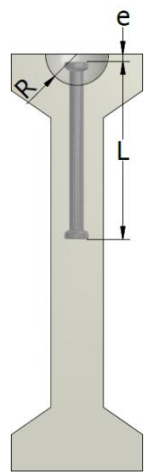
T-DOUBLE HEAD ANCHOR

TERWA T-DOUBLE HEAD are forged from round steel with a design load capacity in the range of 100kN to 320kN. It is specially designed for use in pre-stressed beams. The concrete strength must be higher than 40 MPa. Can be made in two variants: sandblasted or hot-dip galvanized.



T double head black		T double head - hot dip galvanized		Load group kN	L mm	ØA mm	ØB mm
Description	Prod. No.	Description	Prod. No.				
T-DH-100-0340	62626	T-DH-100-0340-TV	62633	100	340	46	28
T-DH-150-0400	62627	T-DH-150-0400-TV	62634	150	400	70	38
T-DH-200-0500	62628	T-DH-200-0500-TV	62635	200	500	70	40
T-DH-320-0700	62629	T-DH-320-0700-TV	62636	320	700	88	50

T double head Description	Load group kN	"R" mm	"e" mm
T-DH-100-0340	100	59	15
T-DH-150-0400	150	80	15
T-DH-200-0500	200	80	15
T-DH-320-0700	320	102	23

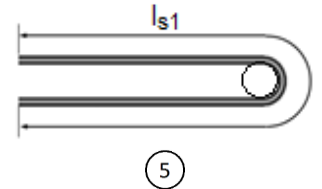
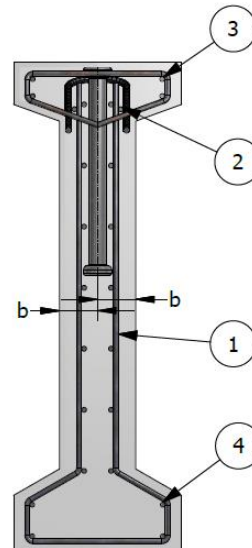
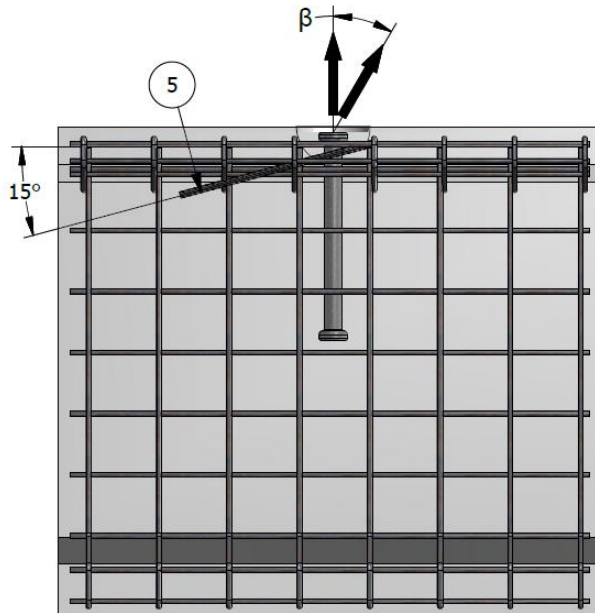


- L = anchor length
- e = cover to anchor head
- R = recess radius

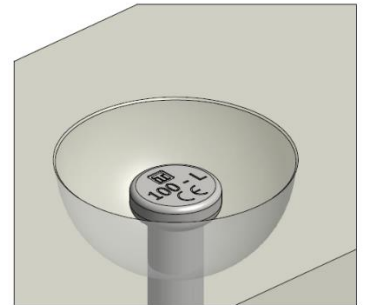
T-DOUBLE HEAD ANCHOR – INSTALATION AND REINFORCEMENT

REINFORCEMENT USED IN ANCHOR ZONE FOR ANGLED LIFT IN BEAMS

The angled pull reinforcement must be mounted opposite the direction of the load. The diagonal reinforcement must be placed as close as possible under the recess former and installed so it is in contact with the lifting anchor (see page 20). The concrete strength must be at least 40 MPa. We recommend that angle β should not exceed 30°.



Mounting position for T-double head anchor



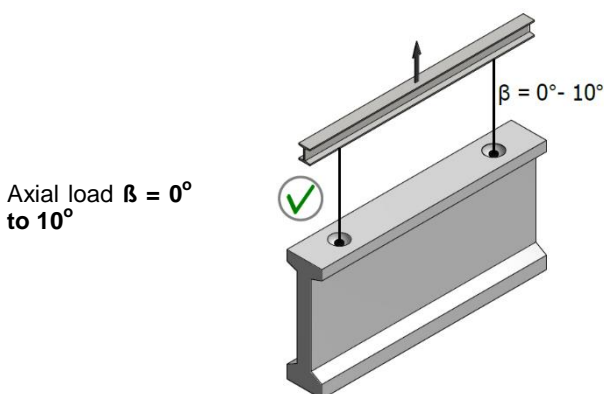
Note:

The bend radius will be determined according to EN 1992.
The dimensions in the illustrations are in [mm]

Minimum reinforcement required:

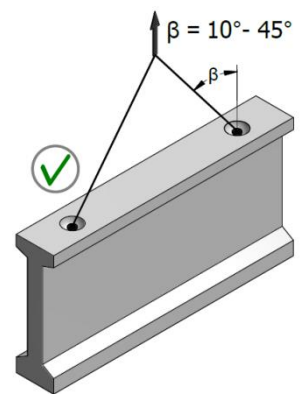
- Mesh reinforcement 2 x 188 [mm²/m] - ①
- Rebar 2 x Ø10 - ②
- Rebar 4 x Ø14 - ③
- Rebar 4 x Ø12 - ④

T-DOUBLE HEAD LOAD DIRECTIONS



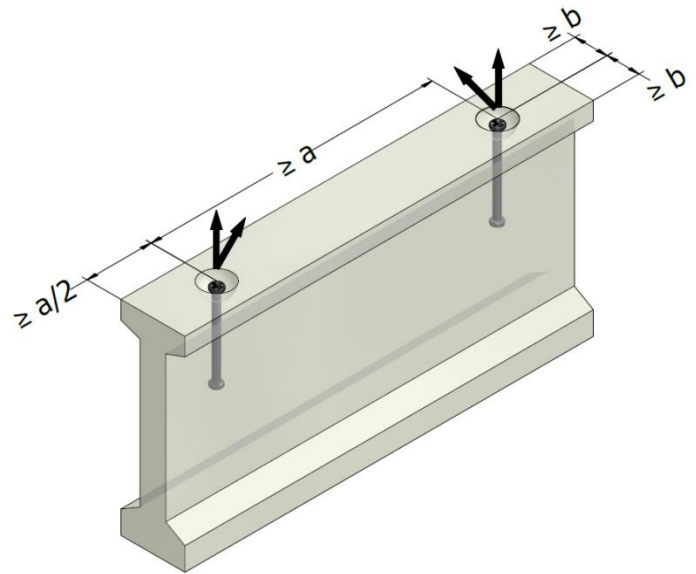
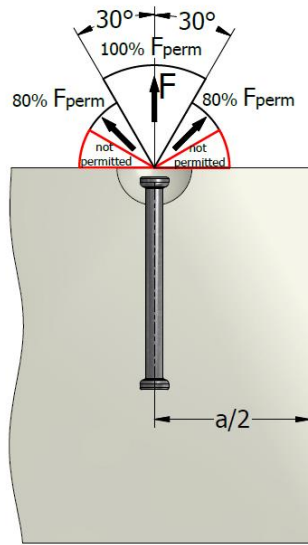
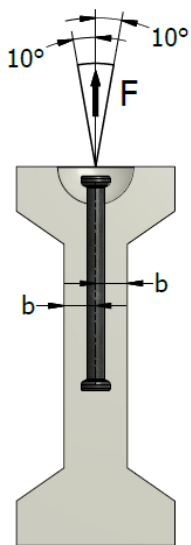
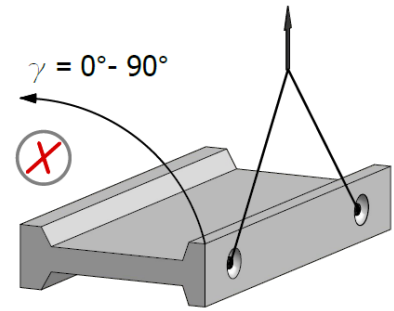
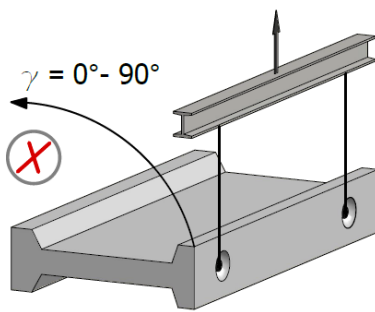
Diagonal load $\beta = 10^\circ$ to 45°

Note: $\beta \leq 30^\circ$ is recommended





Do not use T double head for tilting $\gamma = 90^\circ$



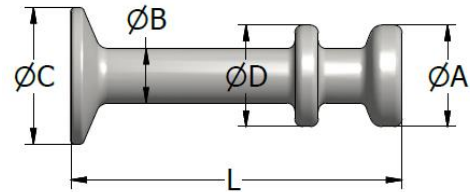
T- DOUBLE HEAD ANCHOR – LOAD CAPACITY IN BEAMS FOR AXIAL AND ANGLE PULL

Type of anchor	Load group	Minimum web thickness $2 \times b$	Minimum axial spacing a	Load capacity			
				Axial pull $\beta < 30^\circ$ $f_{cu} \geq 40 \text{ MPa}$	Axial pull $30^\circ < \beta < 45^\circ$ $f_{cu} \geq 40 \text{ MPa}$	Axial pull $\beta < 30^\circ$ $f_{cu} \geq 55 \text{ MPa}$	Axial pull $30^\circ < \beta < 45^\circ$ $f_{cu} \geq 55 \text{ MPa}$
				[kN]	[kN]	[kN]	[kN]
T-DH-100-0340	100	120	1350	85	68	95	76
T-DH-100-0340		140	1350	100	80	100	80
T-DH-150-0400	150	120	1600	130	104	145	116
T-DH-150-0400		140	1600	150	120	150	120
T-DH-200-0500	200	140	2000	170	136	190	152
T-DH-200-0500		160	2000	195	156	200	160
T-DH-320-0700	320	140	2800	220	176	245	196
T-DH-320-0700		160	2800	250	200	280	224
T-DH-320-0700		180	2800	280	224	310	248



P- ANCHOR

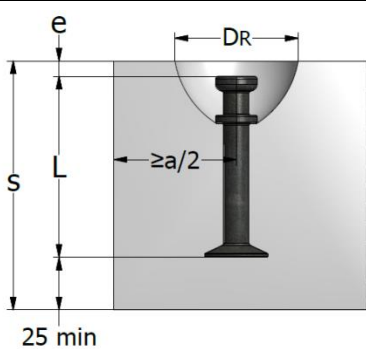
Forged from round carbon steel, the P-slot anchor has a design load capacity in the range of 13 kN to 100 kN. The collar under the anchor head seals the former when the anchor is pushed into the recess former.



Characteristics of P- anchors

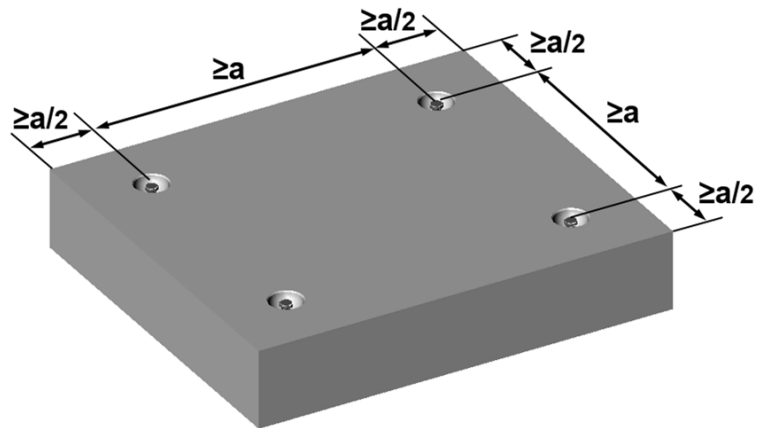
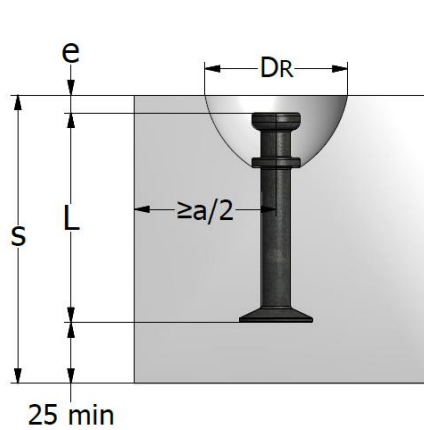
P-anchor black		P-anchor hot dip galvanized		P-anchor – stainless steel 1.4301 (AISI 304)		Load group	L	ØA	ØB	ØC	ØD
Descr.	Prod. No.	Descr.	Prod. No.	Descr.	Prod. No.						
P-013-0055	44953	P-013-0055-TV	45848	P-013-0055-SS2	61934	13	55	19	10	25	19
P-013-0065	46248	P-013-0065-TV	47470	P-013-0065-SS2	61935	13	65	19	10	25	19
P-013-0085	43337	P-013-0085-TV	43338	P-013-0085-SS2	61936	13	85	19	10	25	19
P-013-0120	43339	P-013-0120-TV	43340	P-013-0120-SS2	45710	13	120	19	10	25	19
P-013-0240	46205	P-013-0240-TV	46206	P-013-0240-SS2	61937	13	240	19	10	25	19
P-025-0055	44281	P-025-0055-TV	44282	P-025-0055-SS2	61938	25	55	26	14	35	26
P-025-0065	46211	P-025-0065-TV	61939	P-025-0065-SS2	63300	25	65	26	14	35	26
P-025-0085	43970	P-025-0085-TV	43341	P-025-0085-SS2	44507	25	85	26	14	35	26
P-025-0110	60680	P-025-0110-TV	60681	P-025-0110-SS2	63301	25	110	26	14	35	26
P-025-0120	43342	P-025-0120-TV	43343	P-025-0120-SS2	44508	25	120	26	14	35	26
P-025-0170	43344	P-025-0170-TV	43345	P-025-0170-SS2	61940	25	170	26	14	35	26
P-050-0075	47860	P-050-0075-TV	44639	P-050-0075-SS2	61941	50	75	36	20	50	36
P-050-0080	61282	P-050-0080-TV	61283	P-050-0080-SS2	63302	50	80	36	20	50	36
P-050-0090	46470	P-050-0090-TV	46468	P-050-0090-SS2	61942	50	90	36	20	50	36
P-050-0110	46469	P-050-0110-TV	46467	P-050-0110-SS2	61943	50	110	36	20	50	36
P-050-0120	45863	P-050-0120-TV	44640	P-050-0120-SS2	61944	50	120	36	20	50	36
P-050-0170	61576	P-050-0170-TV	61577	P-050-0170-SS2	63303	50	170	36	20	50	36
P-050-0240	45864	P-050-0240-TV	44615	P-050-0240-SS2	45189	50	240	36	20	50	36
P-100-0150	44614	P-100-0150-TV	61946	P-100-0150-SS2	61945	100	150	46	28	70	46

Type P Anchor	Load Group	D _R	e
Description	[kN]	[mm]	[mm]
P-013-XXXX	13	63	10
P-025-XXXX	25	74	11
P-050-XXXX	50	96	15
P-100-XXXX	100	122	15



- L = anchor length
- a/2 = edge distance
- e = cover to anchor head
- D_R = recess diameter

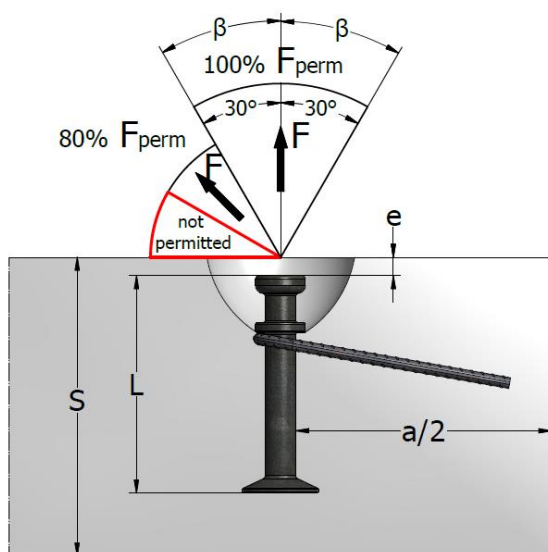
INSTALLATION OF P- ANCHOR IN SLABS



- L = anchor length
- $a/2$ = edge distance
- e = cover to anchor head
- D_R = recess diameter

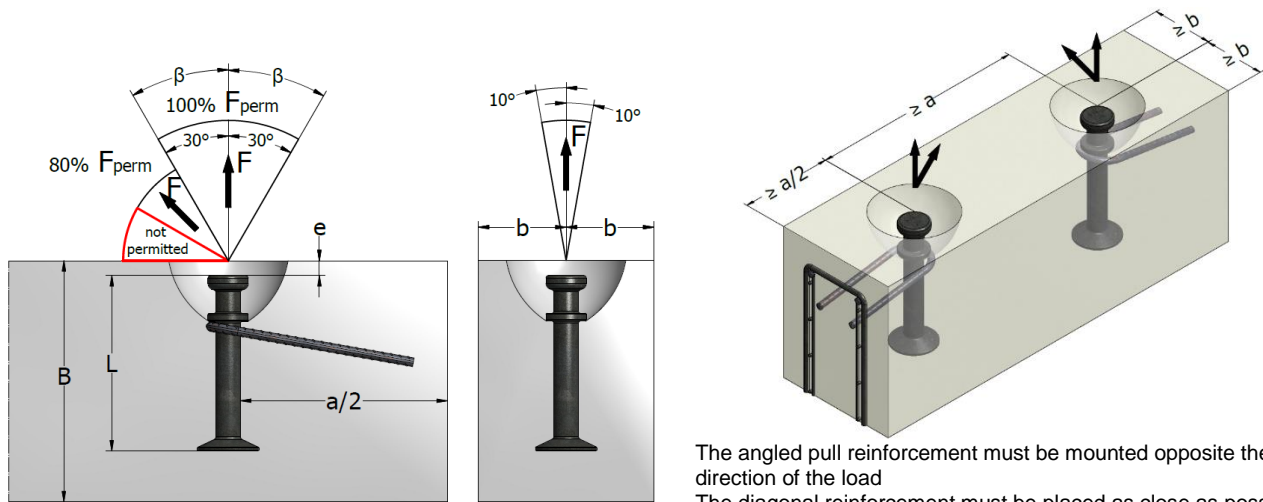
For slab units or de-mould of panels the edge distance of the "T" anchor (a) is: $a/2 = 3 \times (L + e)$

P- ANCHOR – LOAD CAPACITY IN SLABS FOR ANY DIRECTION OF PULL							
Type of anchor	Load group	Minimum thickness	Load capacity for minimum thickness				Minimum spacing between anchors
			Axial pull $\beta < 30^\circ$	Angled pull $\beta < 45^\circ$	Axial pull and angled pull $\beta < 45^\circ$		
		s	$f_{cu} \geq 15 \text{ MPa}$	$f_{cu} \geq 15 \text{ MPa}$	$f_{cu} \geq 25 \text{ MPa}$	$f_{cu} \geq 35 \text{ MPa}$	a
[kN]	[mm]	[kN]	[kN]	[kN]	[kN]	[mm]	
P-013-0065	13	100	13.0	10.4	13.0	13.0	260
P-025-0085	25	120	19.5	15.6	25.0	25.0	325
P-050-0110	50	150	29.5	23.6	38.1	45.1	450
P-100-0150	100	200	59.5	40.1	60.2	75.5	600



- **Angled pull of $30^\circ \leq \beta \leq 45^\circ$ with no angled pull reinforcement is only permitted for:**
 - $f_{cu} \geq 15 \text{ MPa}$ + 3 times min. edge distance $a/2$
 - $f_{cu} \geq 25 \text{ MPa}$ + 2.5 times min. edge distance $a/2$
 - $f_{cu} \geq 35 \text{ MPa}$ + 2 times min. edge distance $a/2$
- **Angled pull with cable/chain spread of $\beta > 45^\circ$ is not permitted**

LOAD CAPACITY IN BEAMS AND WALLS WITH ADDITIONAL REINFORCEMENTS



The angled pull reinforcement must be mounted opposite the direction of the load
The diagonal reinforcement must be placed as close as possible under the recess former and installed so it is in contact with the lifting anchor.

NOTES:

Required reinforcement (see page 21)

- Mesh reinforcement - ①
 - Edge reinforcement - ②
 - Stirrups - ③
 - Angled pull reinforcement - ④
- **Angled pull of $30^\circ \leq \beta \leq 45^\circ$ with no angled pull reinforcement is only permitted for:**
 - $f_{cu} \geq 15 \text{ MPa} + 3 \text{ times min. edge distance } a/2$
 - $f_{cu} \geq 25 \text{ MPa} + 2.5 \text{ times min. edge distance } a/2$
 - $f_{cu} \geq 35 \text{ MPa} + 2 \text{ times min. edge distance } a/2$
 - **Angled pull with cable/chain spread of $\beta > 45^\circ$ is not permitted**

P- ANCHOR – LOAD CAPACITY IN BEAMS AND WALLS WITH ADDITIONAL REINFORCEMENTS

Type of anchor	Load group	Minimum height of beams B	Wall thickness 2 x b	Load capacity				Spacing between anchors a
				Axial pull $\beta < 30^\circ$	Angled pull $\beta < 45^\circ$	Axial pull and angled pull $\beta < 45^\circ$		
				$f_{cu} \geq 15 \text{ MPa}$	$f_{cu} \geq 15 \text{ MPa}$	$f_{cu} \geq 25 \text{ MPa}$	$f_{cu} \geq 35 \text{ MPa}$	
[kN]	[mm]	[mm]	[kN]	[kN]	[kN]	[kN]	[mm]	
P-013-0120	13	250	80	13.0	10.7	13.0	13.0	300
			100	13.0	12.7	13.0		
			120	13.0	13.0	13.0		
P-025-0120	25	250	120	18.1	14.5	23.3	25.0	380
			140	20.3	16.2	25.0		
			160	22.4	17.9	25.0		
P-025-0170	350	350	100	20.7	16.5	25.0	25.0	380
			120	23.7	19.0			
			140	25.0	21.8			
P-050-0240	50	500	200	45.6	36.5	50.0	50.0	500
			220	49.0	39.2			
			240	50.0	41.9			



O- ANCHOR

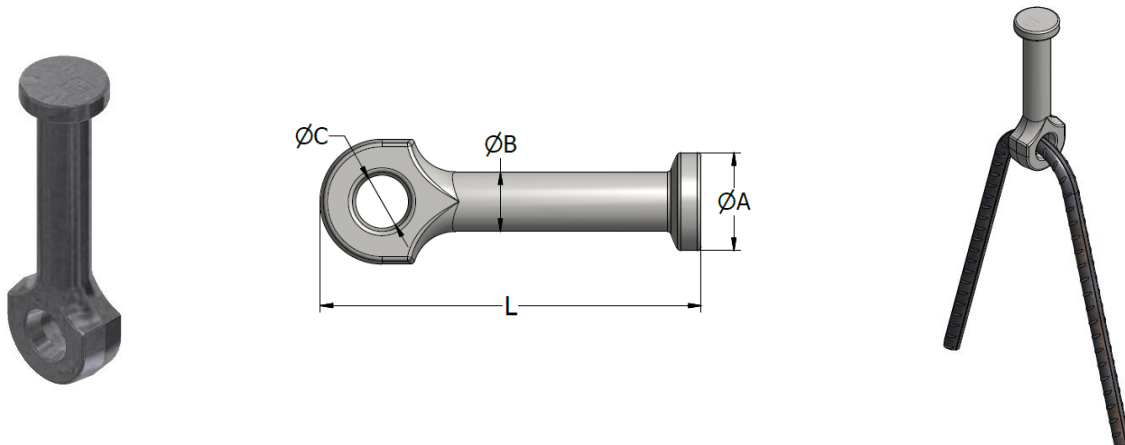
Forged from carbon steel, the O-eye anchor has a design load capacity in the range of 13kN to 320kN.

The O-eye-anchor has a hole, in which a reinforcement hairpin has to be placed to obtain good anchoring in small elements, lightweight precast elements such as pre-stressed beams. Since the entire load is transferred to concrete reinforcement steel, it should be installed so as to maintain direct contact with the base of the hole in the anchor.

Use of this reinforcement is essential. Do not use anchor type O without this reinforcement.

For angled lift using an additional reinforcement similar to that mounted with t-slot anchor is necessary. Install this angled pull reinforcement as close as possible under the recess former and in full contact with the anchor.

O anchors are available in two versions: shot blasting and hot dip galvanizing (TV).

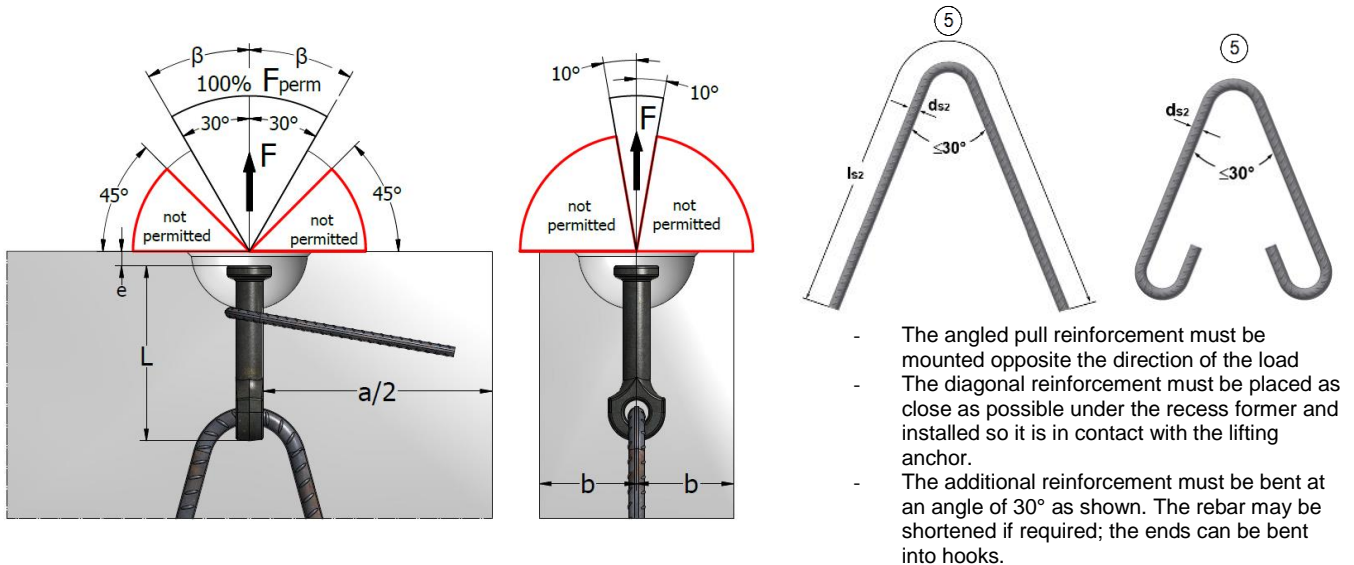


Characteristics of O-Eye anchor

O- anchor black		O-anchor hot dip galvanized		Load group [kN]	L [mm]	ØA [mm]	ØB [mm]	ØC [mm]
Descr.	Product nr.	Descr.	Product no.					
O-013-065	43328	O-013-065-TV	43329	13	65	19	10	9
O-025-090	43330	O-025-090-TV	43331	25	90	26	14	13
O-025-120	46261	O-025-120-TV	46262	25	120	26	14	13
O-050-090	43332	O-050-090-TV	43571	50	90	36	20	18
O-050-120	43333	O-050-120-TV	43334	50	120	36	20	18
O-100-115	43556	O-100-115 TV	43557	100	115	47	28	25
O-100-180	43335	O-100-180-TV	43336	100	180	47	28	25
O-200-250	43558	O-200-250 TV	43559	200	250	70	39	37
O-320-300	43560	O-320-300 TV	43561	320	300	88	50	47

Type O Anchor	Load Group	R	e		<ul style="list-style-type: none"> - L = anchor length - a/2 = edge distance - e = cover to anchor head - R = recess radius
Description	[kN]	[mm]	[mm]		
O-013-XXXX	13	30	10		
O-025-XXXX	25	37	11		
O-050-XXXX	50	47	15		
O-100-XXXX	100	59	15		
O-200-XXXX	200	80	15		
O-320-XXXX	320	102	23		

LOAD CAPACITY IN BEAMS AND WALLS WITH ADDITIONAL REINFORCEMENTS



NOTES:

Required reinforcement (see page 20)

- Mesh reinforcement - ①
- Angled pull reinforcement - ④
- Additional reinforcement - ⑤
- **Angled pull of $30^\circ \leq \beta \leq 45^\circ$ with no angled pull reinforcement is only permitted for:**
 - $f_{cu} \geq 15 \text{ MPa} + 3 \text{ times min. edge distance } a/2$
 - $f_{cu} \geq 25 \text{ MPa} + 2.5 \text{ times min. edge distance } a/2$
 - $f_{cu} \geq 35 \text{ MPa} + 2 \text{ times min. edge distance } a/2$
- **Angled pull with cable/chain spread of $\beta > 45^\circ$ is not permitted**

O- ANCHOR – LOAD CAPACITY AND REINFORCEMENTS

O-anchor type	Load group	Minimum thickness "2 x b"	Spacing between anchors "a"	Mesh reinforcement ①	O-anchor reinforcement Dimensions l _{s2} ⑤				Load capacity Axial pull f _{cu} ≥ 15 MPa	Load capacity angled pull β ≤ 45°	
					f _{cu} ≥ 15 MPa	f _{cu} ≥ 25 MPa	f _{cu} ≥ 35 MPa	d _{s2}		f _{cu} ≥ 15 MPa	f _{cu} ≥ 25 MPa
					[mm]	[mm]	[mm]	[mm]		[kN]	[kN]
O-013-0065	13	80	500	2 x 60	700	550	450	8	13.0	10.4	13.0
O-025-0090	25	80	600	2 x 100	1000	800	650	10	25.0	20.0	25.0
O-050-0120	50	100	750	2 x 140	1700	1400	1100	16	50.0	40.0	50.0
O-100-0180	100	140	1200	2 x 180	2000	1600	1300	20	100.0	80.0	100.0
O-200-0250	200	180	1500	2 x 350	3000	2400	2000	32	200.0	160.0	200.0
O-320-0300	320	260	1800	2 x 400	3800	2700	2200	40	320.0	256.0	320.0

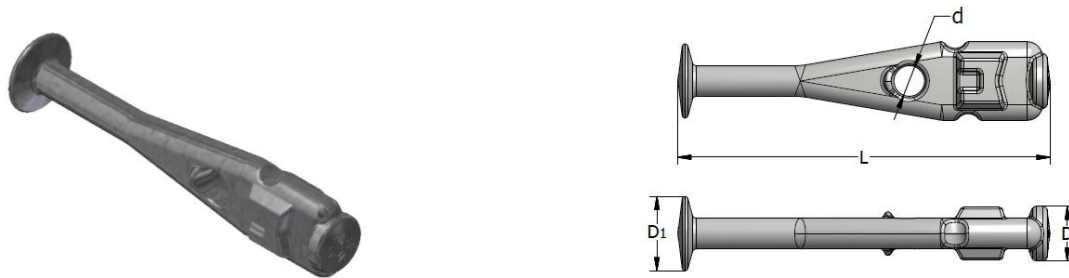


TKA-TILT-ANCHOR

Forged from carbon steel, these have a design load capacity in the range of 13 kN to 50 kN.

TKA anchors can carry loads of between 13 kN and 50 kN. These anchors are used for tilting and transport of thin concrete walls. This type of anchor is typically used in combination with additional reinforcing steel. The TKA anchor must be fixed in the mould using a specific recess former RBK. The recess former holds the anchor securely in position during the concrete pour. The IPK is mounted in the RBK in order to stabilize the RBK during pouring and hardening.

TKA anchors are available in two versions: shot blasting and hot dip galvanizing (TV).



TKA-anchor black		TKA-anchor hot dip galvanized		Load group [kN]	L [mm]	Ø D [mm]	Ø D ₁ [mm]	Ø d [mm]
Descr.	Product no.	Descr.	Product no.					
TKA-013-0120	44476	TKA-013-0120-TV	44804	13	120	19	23	11
TKA-025-0170	44477	TKA-025-0170-TV	44805	25	170	25	34	16
TKA-050-0240	44478	TKA-050-240-TV	44806	50	240	36	50	21



Characteristics of RBK balls:

		RBK-recess former		Load group [kN]	Length L [mm]	Height H [mm]	Width B [mm]
		Descr.	Product no.				
RBK-13	43946	13	70	32	49		
RBK-25	43947	25	86	38	60		
RBK-50	43948	50	110	53	78		

Characteristics of IPK plates:

		IPK-plates		Load group [kN]	Length L [mm]	Height H [mm]	Width B [mm]
		Descr.	Product no.				
IPK -13	47225	13	54	16	15		
IPK -25	47224	25	67	16	20		
IPK -50	47223	50	84	24	25		

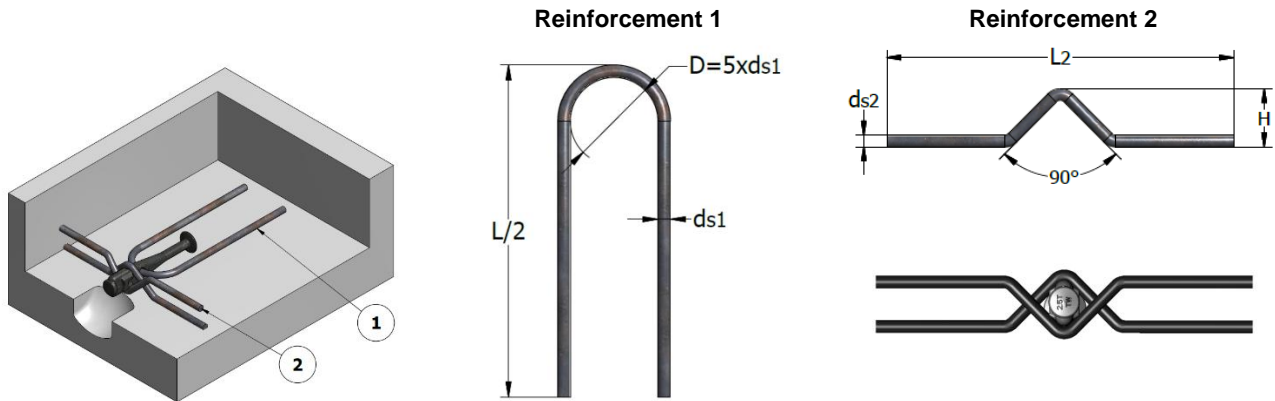
For pitching additional reinforcements have to be installed in the anchor zone. Take care with anchor placement so that the anchors ensure the load transfer. The RBK recess former is removed from the hardened concrete, and then the lifting device can be connected.

The shackle nose must be oriented in the direction of lifting.



REINFORCEMENT USED IN ANCHOR ZONE FOR ANGLED LIFT IN PANELS OR BEAMS

Additional reinforcements:



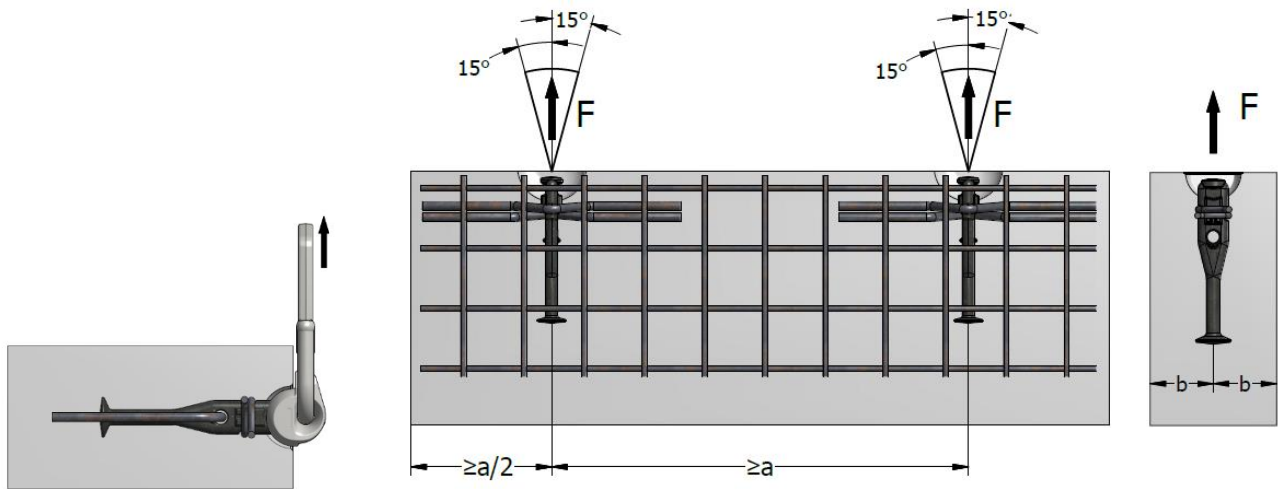
TKA- ANCHOR – LOAD CAPACITY AND REINFORCEMENTS							
TKA-anchor type	Load group	Mesh reinforcement	Reinforcement 1			Reinforcement 2	
			ds ₁	L(straight)	L/2 (bended)	ds ₂	L ₂
	[kN]	[mm ² /m]	[mm]	[mm]	[mm]	[mm]	[mm]
TKA-013-0120	13	131	10	1035	500	10	500
TKA-025-0170	25	2 x 131	10	1635	800	12	800
TKA-050-0240	50	2 x 140	12	2240	1100	16	1000

Type TKA Anchor Description	Load Group [kN]	D _R [mm]	e [mm]	<ul style="list-style-type: none"> - L = anchor length - e = cover to anchor head - Dr = recess dimension
TKA-013-0120	13	70	10	
TKA-025-XXXX	25	86	11	
TKA-050-XXXX	50	110	15	



TRANSVERSE LIFT

ANGLED LIFT



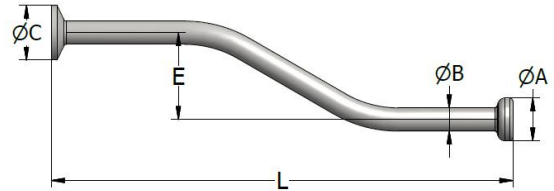
Permissible load:

TKA-anchor type	Axial Load [kN]	Element thickness 2 x b [mm]	Spacing between anchors "a" [mm]	Transverse lift		Axial pull angled pull $\beta \leq 15^\circ$	
				Concrete strength		Concrete strength	
				15 MPa [kN]	25 MPa [kN]	15 MPa [kN]	25 MPa [kN]
TKA-013-0120	13	80	850	3.0	3.6	11.0	13.0
		100		4.0	4.6	12.0	13.0
		120		5.0	5.6	13.0	13.0
TKA-025-0170	25	100	1300	7.8	10.1	22.2	25.0
		110		9.0	11.6	23.8	25.0
		120		10.3	12.5	25.0	25.0
		130		11.6	12.5	25.0	25.0
		140		12.5	12.5	25.0	25.0
TKA-050-0240	50	120	1550	13.8	17.8	31.2	40.0
		130		14.6	18.8	33.1	42.7
		140		15.6	20.1	35.0	45.2
		150		17.3	22.3	36.8	47.5
		160		19.1	24.6	38.7	50.0
		180		20.9	25.0	42.2	50.0
		200		22.6	25.0	45.7	50.0



TSG – OFFSET ANCHOR

The TSG anchor has a design load capacity in the range of 13kN to 320kN. This type of anchor is mainly used in sandwich panels. The anchor head must be positioned on the axis of symmetry of the sandwich precast panel. To ensure safe load transfer, the anchor leg must be positioned in the middle of the load bearing layer. TSG anchors are available in two versions: shot blasting and hot galvanizing (TV).



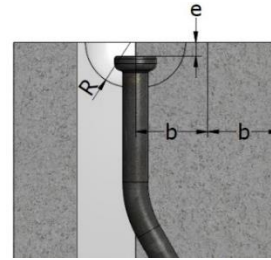
TSG- ANCHOR – DIMENSIONS

TSG black		TSG hot dip galvanized		Load group	L	ØA	ØB	ØD	E
Description	Product no.	Description	Product no.						
TSG-013-0227	43087	TSG-013-0227-TV	43088	13	227	19	10	25	50
TSG-025-0268	43089	TSG-025-0268-TV	43090	25	268	26	14	35	50
TSG-040-0406	43091	TSG-040-0406-TV	43092	40	406	36	18	45	60
TSG-050-0466	43093	TSG-050-0466-TV	43094	50	466	36	20	50	60
TSG-075-0664	43095	TSG-075-0664-TV	43096	75	664	46	24	60	70
TSG-100-0667	43097	TSG-100-0667-TV	43100	100	667	46	28	70	70
TSG-150-0825	43101	TSG-150-0825-TV	43102	150	825	70	38	80	90
TSG-200-0986	43103	TSG-200-0986-TV	43104	200	986	70	40	98	90
TSG-320-1150	45912	TSG-320-1150-TV	45913	320	1150	88	50	135	150



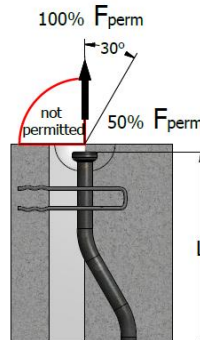
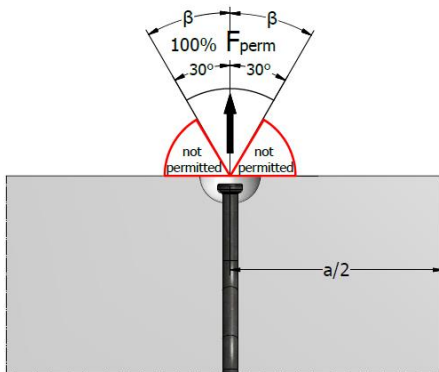
TSG - ANCHOR ARRANGEMENT

Type TSG Anchor	Load Group	"R"	"e"
Description	[kN]	[mm]	[mm]
TSG-013-0227	13	30	10
TSG-025-0268	25	37	11
TSG-040-0406	40	47	15
TSG-050-0466	50	47	15
TSG-075-0664	75	59	15
TSG-100-0667	100	59	15
TSG-150-0825	150	80	15
TSG-200-0986	200	80	15
TSG-320-1150	320	102	23



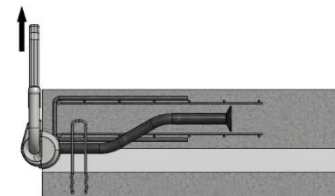
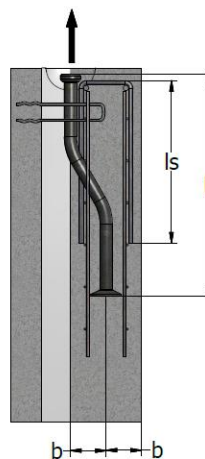
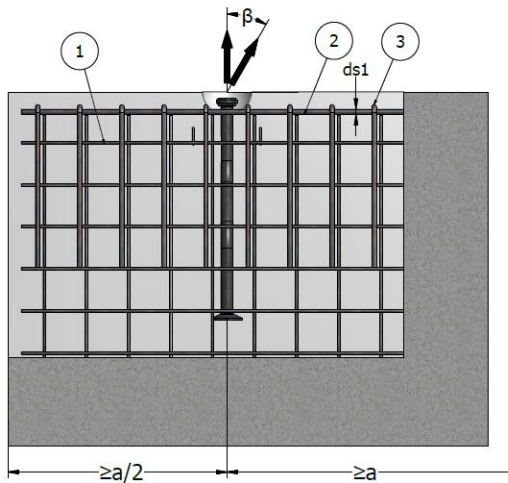
- $2xb$ = load bearing layer thickness
- e = cover to anchor head
- R = recess radius

TSG - LOAD CAPACITY IN BEAMS AND WALLS - ADDITIONAL REINFORCEMENTS



Angled pull with cables/chains spread of $\beta > 30^\circ$ is not permitted

Using a tilt-up table is recommended for tilt-up operations.



Using an additional sandwich hairpin anchor installed near the anchor is beneficial.

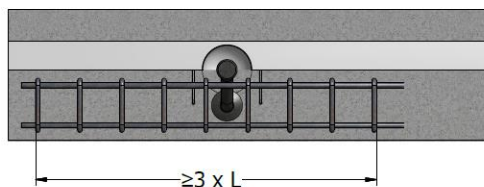
Note:

The bend radius will be determined according to EN 1992.

The diagonal reinforcement must be placed as close as possible under the recess former and installed so it is in contact with the lifting anchor.

The reinforced zone must be $\geq 3 \times$ anchor length "L". The two stirrups near the anchor should be installed as close as possible to the recess former.

Length $l_s = l_1 + \text{Anchor length}$





Type of anchor	Load Group	Mesh reinforcement ①	Edge reinforcement B500B (both sides)	Stirrups - B500B ③	
			②	Axial pull $\beta < 30^\circ$	
Symbol	[kN]	[mm ² /m]	d_{s1} [mm]	„d” [mm]	„ls” [mm]
TSG-013-0227	13	2 x 60	Ø 10	Ø6	400
TSG-025-0268	25	2 x 100	Ø 10	Ø8	600
TSG-040-0406	40	2 x 125	Ø 10	Ø8	750
TSG-050-0466	50	2 x 140	Ø 12	Ø10	750
TSG-075-0664	75	2 x 160	Ø 12	Ø10	1000
TSG-100-0667	100	2 x 180	Ø 12	Ø10	1000
TSG-150-0825	150	2 x 240	Ø 16	Ø10	1000
TSG-200-0986	200	2 x 350	Ø 16	Ø12	1100
TSG-320-1150	320	2 x 400	Ø 16	Ø12	1100

TSG- ANCHOR – LOAD CAPACITY IN WALLS WITH ADDITIONAL REINFORCEMENTS

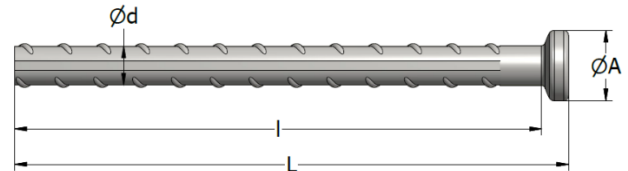
Type of anchor	Load group	Wall thickness 2 x b	Load capacity				Spacing between anchors a
			Axial pull $\beta < 30^\circ$		Transverse lift		
			$f_{cu} \geq 15 \text{ MPa}$	$f_{cu} \geq 25 \text{ MPa}$	$f_{cu} \geq 15 \text{ MPa}$	$f_{cu} \geq 25 \text{ MPa}$	
[kN]	[mm]	[kN]	[kN]	[kN]	[kN]	[mm]	
TSG-013-0227	13	80	13.0	13.0	6.5	6.5	260
TSG-025-0268	25	100	15.9	20.3	9.5	12.2	370
		140	20.5	25.0	12.2	12.5	
TSG-040-0406	40	100	27.3	35.2	18.5	20.0	640
		140	35.1	40.0	20.0	20.0	
TSG-050-0466	50	100	35.2	45.4	21.2	25.0	820
		140	45.3	50.0	25.0	25.0	
TSG-075-0664	75	120	50.9	65.8	30.5	37.5	1210
		150	60.2	75.0	36.0	37.5	
TSG-100-0667	100	140	66.5	86.0	39.9	50.0	1220
		180	80.3	100.0	48.2	50.0	
TSG-150-0825	150	180	103.2	133.0	61.9	75.0	1500
		220	120.0	150.0	72.0	75.0	
TSG-200-0986	200	200	135.1	174.4	81.1	100.0	2030
		250	159.7	200.0	95.9	100.0	



TKS- ANCHOR

Forged from rebar steel, the TKS slot anchor has a design load capacity in the range of 25kN to 150kN.

The TKS-Rod Slot-anchor has a ribbed rod via which a good anchoring can be obtained. For situations in which an anchoring foot cannot be used, a TKS-Rod Slot-anchor with an adjusted length can provide sufficient anchoring. This anchor is the best solution especially for very thin elements.



TKS-Slot-anchor type - black		Load group	Length L	Length l (anchoring)	Ø d	Ø A
Description	Product no.	[kN]	[mm]	[mm]	[mm]	[mm]
TKS-025-0400	43667	25	400	374	14	26
TKS-025-0520	43668	25	520	494	14	26
TKS-050-0580	43669	50	580	548	20	36
TKS-050-0790	47429	50	790	758	20	36
TKS-050-0900	43670	50	900	868	20	36
TKS-075-0750	43671	75	750	706	24	47
TKS-075-1150	43672	75	1150	1106	24	47
TKS-100-0870	43673	100	870	826	28	47
TKS-100-1300	43674	100	1300	1256	28	47
TKS-150-1080	43675	150	1080	1015	34	70
TKS-150-1550	43676	150	1550	1485	34	70

Type TKS Anchor	Load Group	"R"	"e"		<ul style="list-style-type: none"> - L = anchor length - a/2 = edge distance - e = cover to anchor head - R = recess radius
Description	[kN]	[mm]	[mm]		
TKS-025-XXXX	25	37	11		
TKS-050-XXXX	50	47	15		
TKS-075-XXXX	75	59	15		
TKS-100-XXXX	100	59	15		
TKS-150-XXXX	150	80	15		

TKS-ANCHOR – INSTALLATION AND REINFORCEMENT

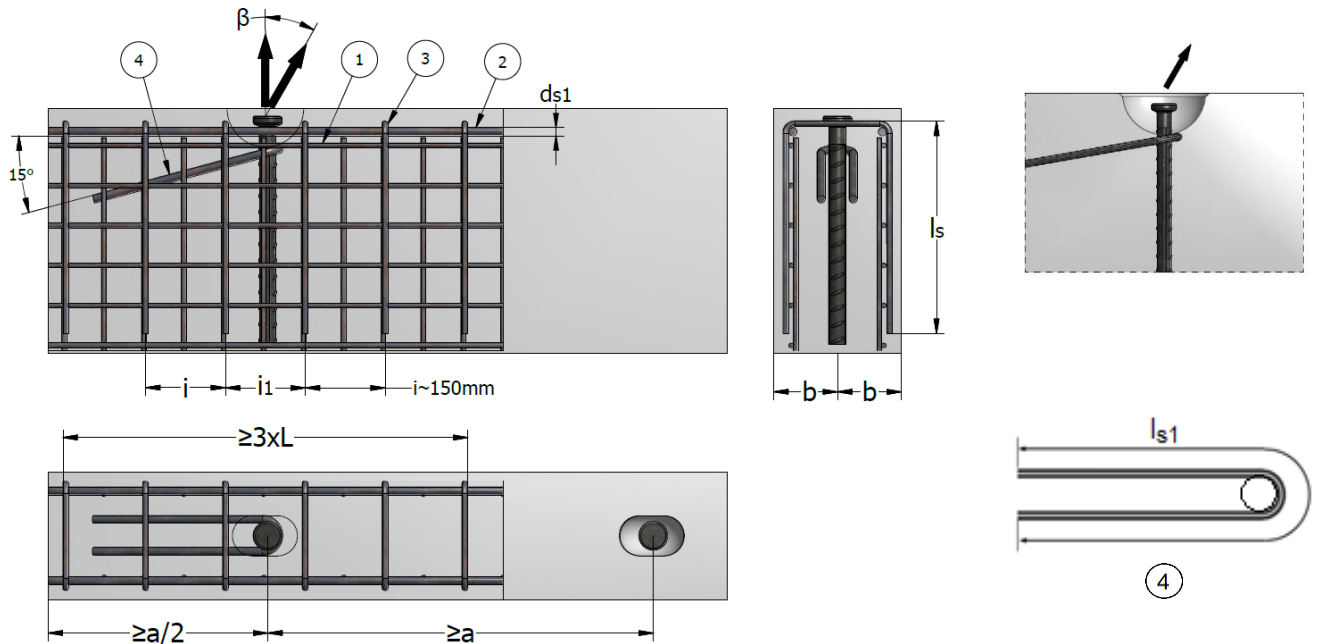
REINFORCEMENT TYPES USED IN THE ANCHOR ZONE FOR PANELS AND BEAMS FOR ANGLE LIFT

Panels and beams containing only basic reinforcements such as wire mesh, stirrups and edge reinforcement can only be lifted in the axial direction or at an angle not exceeding 30°.

For angled pull additional reinforcement installed in the direction opposite of the load is required. Installing this angled pull reinforcement as close as possible under the recess former and in full contact with the anchor is recommended.

The additional reinforcements necessary in the anchor zone for lifting the panels and beams at angles $\beta \leq 45^\circ$ are shown in the table. The concrete strength must be at least 15 MPa. We recommend that, if possible, angle β should not exceed 30°.

The stirrups will be installed on both sides of the anchor in an area equal to 3 x length of anchor. The two stirrups near the anchor should be installed as close as possible to the recess former.



Note:

The bend radius will be determined according to EN 1992.

The diagonal reinforcement must be placed as close as possible under the recess former and installed so it is in contact with the lifting anchor.

The reinforced zone must be $\geq 3 \times$ anchor length "L". The two stirrups near the anchor should be installed as close as possible to the recess former.

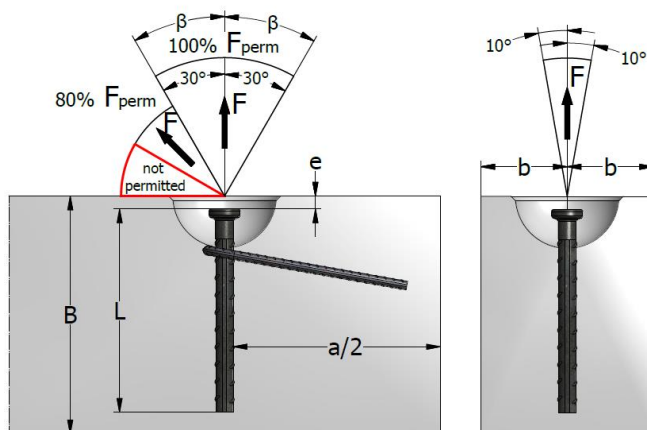
No stirrups required if element thickness is $2 \times b > s_{min}$ – see table below.

Type of anchor	Load Group	Elem. thickness s	Spacing between anchors "a"	Mesh reinforcement ①	Edge reinforcement B500B (both sides) ②	Stirrups - B500B ③		Angled pull reinforcement B500B ④	
						Axial pull $\beta < 30^\circ$ and angled pull $30^\circ < \beta < 45^\circ$			
Symbol	[kN]	[mm]	[mm]	[mm ² /m]	d _{s1} [mm]	Elem. Thickness s „s _{min} ” [mm]	„d” [mm]	„l ₁ ” [mm]	Ø x l _{s1} [mm]
TKS-025-0400	25	80	360	2 x 100	Ø 10	90	Ø8	600	Ø10 x 600
TKS-025-0520		100/120					Ø8	600	
TKS-050-0580	50	100/120	540	2 x 140	Ø 12	120	Ø10	750	Ø12 x 1000
TKS-050-0900		140/160					Ø10	850	
TKS-075-0750	75	120/140	610	2 x 160	Ø 12	140	Ø10	750	Ø20 x 1000
TKS-075-1150		160					Ø10	900	
TKS-100-0870	100	160	720	2 x 180	Ø 14	160	Ø10	800	Ø20 x 1100
TKS-100-1300		140					Ø10	950	
TKS-150-1080	150	200	900	2 x 240	Ø 14	200	Ø12	1020	Ø25 x 1100
TKS-150-1550		160					Ø12	1200	

TKS - LOAD CAPACITY IN BEAMS AND WALLS

Anchor type	Load group	Concrete element thickness „2 x b”	The recommended minimum thickness „s min”	Axial pull $\beta < 30^\circ$		Angled pull $\beta > 30^\circ$ max. 45°	
				$f_{cu} \geq 15 \text{ MPa}$	$f_{cu} \geq 25 \text{ MPa}$	$f_{cu} \geq 15 \text{ MPa}$	$f_{cu} \geq 25 \text{ MPa}$
	[kN]	[mm]	[mm]	[kN]	[kN]	[kN]	[kN]
TKS-025-0400	25	80	90	25.0	25.0	20.0	25.0
		100		25.0	25.0	20.0	25.0
		120		25.0	25.0	20.0	25.0
TKS-025-0520		100		25.0	25.0	20.0	25.0
TKS-050-0580	50	100	120	41.0	50.0	32.6	50.0
		120		44.2	50.0	35.3	50.0
		140		47.0	50.0	37.6	50.0
		160		50.0	50.0	40.0	50.0
TKS-050-0900		120		50.0	50.0	40.0	50.0
TKS-075-0750	75	120	140	66.0	75.0	52.8	75.0
		140		70.0	75.0	56.0	75.0
		160		75.0	75.0	60.0	75.0
TKS-075-1150		140		75.0	75.0	60.0	75.0
TKS-100-0870	100	140	160	95.0	100.0	76.0	100.0
TKS-100-1300		160		100.0	100.0	80.0	100.0
TKS-150-1080	150	160	200	144.0	150.0	115.2	150.0
TKS-150-1550		200		150.0	150.0	150.0	150.0

We recommend that, if possible, angle β should not exceed 30° .

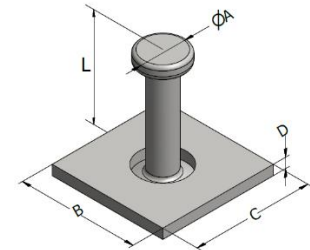
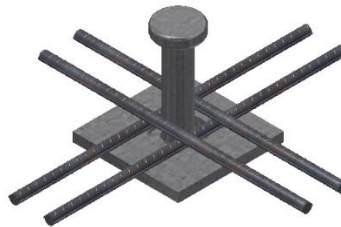
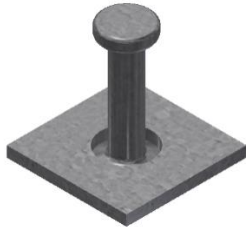


- **Angled pull of $30^\circ \leq \beta \leq 45^\circ$ with no angled pull reinforcement is only permitted for:**
 - $f_{cu} \geq 15 \text{ MPa}$ + 3 times min. edge distance $a/2$
 - $f_{cu} \geq 25 \text{ MPa}$ + 2.5 times min. edge distance $a/2$
 - $f_{cu} \geq 35 \text{ MPa}$ + 2 times min. edge distance $a/2$
- **Angled pull with cable/chain spread of $\beta > 45^\circ$ is not permitted**



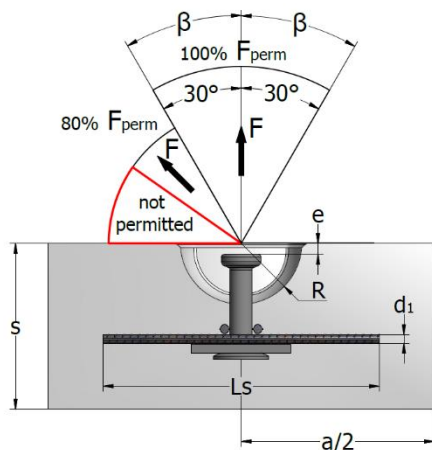
TPA – PLATE ANCHOR

TPA anchors are fitted with a welded base plate. They have a design load capacity in the range of 25kN, 50kN and 100kN. This type of anchors is mostly used for thin panels. It is essential that this type of anchor be used in combination with rebar steel. TPA anchors are available in two versions: shot blasting and hot galvanizing (TV).



TPA black		TPA hot dip galvanized		Load group	L	ØA	B	C	D
Description	Product no.	Description	Product no.						
TPA-025-055	43507	TPA-025-055-TV	44394	25	55	26	70	70	6
TPA-025-085	43978	TPA-025-085-TV	45341	25	85	26	70	70	6
TPA-025-120	43508	TPA-025-120-TV	44398	25	120	26	70	70	6
TPA-050-055	43509	TPA-050-055-TV	45343	50	55	36	90	90	8
TPA-050-065	43510	TPA-050-065-TV	44400	50	65	36	90	90	8
TPA-050-095	43511	TPA-050-095-TV	45345	50	95	36	90	90	8
TPA-050-110	43512	TPA-050-110-TV	44402	50	110	36	90	90	8
TPA-100-115	43513	TPA-100-115-TV	45347	100	115	46	90	90	10

TPA-ANCHOR ARRANGEMENT



- L = anchor length
- e = cover to anchor head
- R = recess radius

- **Angled pull of $30^\circ \leq \beta \leq 45^\circ$ with no angled pull reinforcement is only permitted for:**

- $f_{cu} \geq 15 \text{ MPa} + 3 \text{ times min. edge distance } a/2$
- $f_{cu} \geq 25 \text{ MPa} + 2.5 \text{ times min. edge distance } a/2$
- $f_{cu} \geq 35 \text{ MPa} + 2 \text{ times min. edge distance } a/2$

- **Angled pull with cable/chain spread of $\beta > 45^\circ$ is not permitted**

TPA- ANCHOR – LOAD CAPACITY IN SLABS WITH ADDITIONAL REINFORCEMENTS

TPA-anchor type	Load group [kN]	Minimum thickness	Spacing between anchor	L	e	R	d ₁	L _s	Axial pull $\beta < 30^\circ$ and angled pull $30^\circ < \beta < 45^\circ$	
		"s"	"a"						f _{cu} ≥ 15 MPa	f _{cu} ≥ 25 MPa
		[mm]	[mm]						[kN]	[kN]
TPA-025-055	25	85	560	55	11	37	8	200	10.8	14.0
TPA-025-085	25	115	750	85	11	37	10	250	17.0	21.0
TPA-025-120	25	150	1000	120	11	37	10	300	25.0	25.0
TPA-050-055	50	90	750	55	15	47	12	450	14.0	18.6
TPA-050-065	50	100	1000	65	15	47	12	450	16.0	20.8
TPA-050-095	50	125	1000	95	15	47	12	450	28.0	35.0
TPA-050-110	50	145	1000	110	15	47	12	450	34.0	43.8
TPA-100-115	100	150	1280	115	15	59	16	600	34.5	44.5

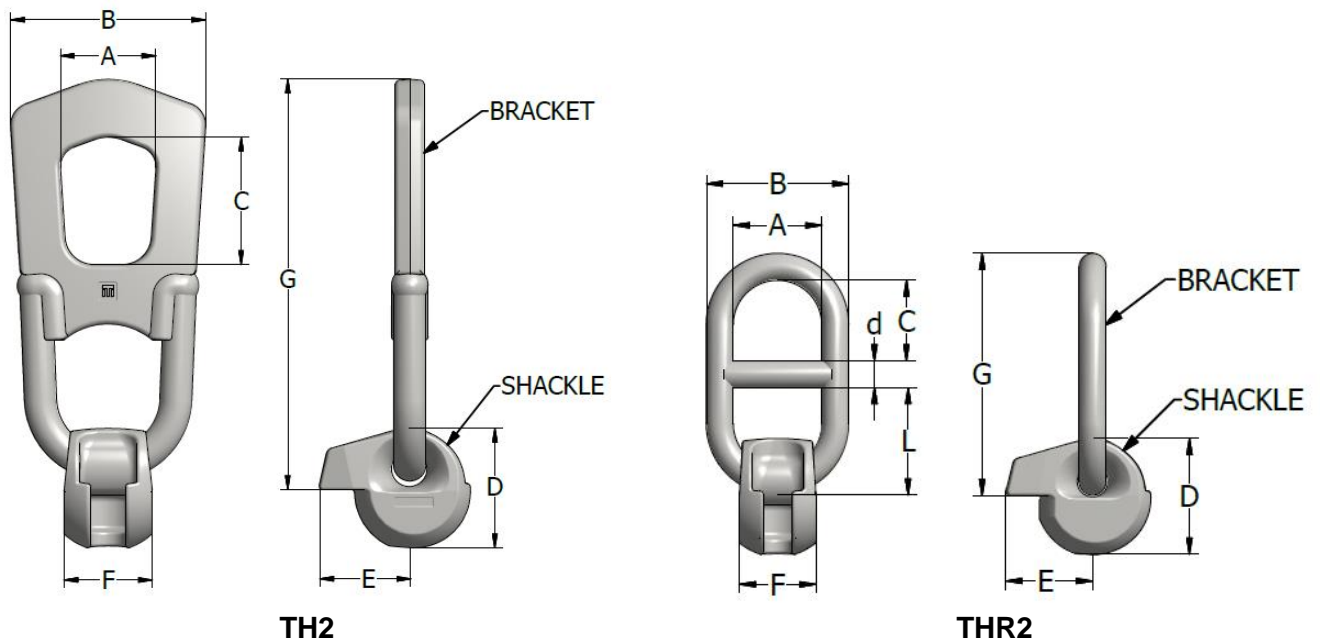


LIFTING CLUTCHES TH2 AND THR2

The 3D Lifting Systems TH2 and THR2 are made of high quality steel and are designed with a safety factor of 5. Every Lifting System is individually tested for a safety factor 3 times the working load and comes with a unique certificate.

The special design of the clutch ensures a tight, safe connection to the anchor. Of course the shackle fits the hemispherical cavity created by the recess former perfectly.

The lifting clutch, recess former and anchor are only combined when they are from the same load group. The load group is clearly marked on the lifting clutch.



TH2 specifications

TH2 lifting system		Load group	A	B	C	D	E	F	G
Type	Product no.	[kN]	[mm]	[mm]	[mm]	[mm]	[mm]	[mm]	[mm]
TH2 13	43143	13	48	77	60	55	40	33	165
TH2 25	43144	25	50	92	75	68	55	42	205
TH2 40/50	43145	50	68	121	86	88	64	57	240
TH2 75/100	43146	100	84	170	110	108	90	77	346
TH2 150/200	43147	200	124	230	140	146	118	115	520
TH2 320	43148	320	155	303	175	195	160	155	590
TH2 450	44500	450	155	303	175	195	160	155	590

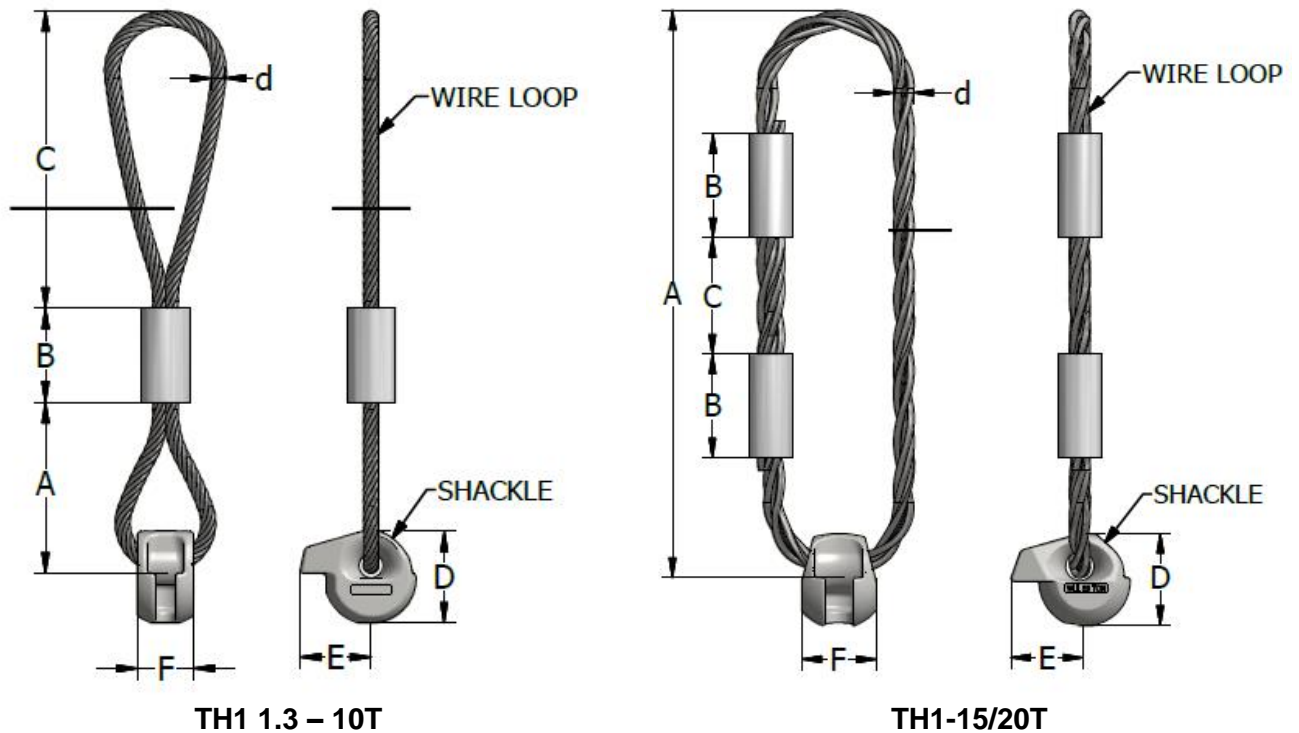
Specifications of the THR2

TH2 lifting system		Load group	A	B	C	d	L	D	E	F	G
Type	Product no.	[kN]	[mm]	[mm]	[mm]	[mm]	[mm]	[mm]	[mm]	[mm]	[mm]
THR2 40/50	45281	50	66	106	60	20	80	88	64	57	180
THR2 75/100	45279	100	90	146	58	28	68	108	90	77	210



LIFTING CLUTCHES TH1

The 3D Lifting Systems TH1 are made of high quality steel and they are designed with a safety factor of 5. All the Lifting Systems are tested individually tested and come with a unique certificate. The safety factor is 3 times the working load. The special design of the clutch ensures a tight, safe connection to the anchor. Of course the shackle fits the hemispherical cavity created by the recess former perfectly. The lifting clutch, recess former and anchor are only combined when they are from the same load group. The load group is clearly marked on the lifting clutch.



TH1 specifications

TH1 lifting system		Load group	A	B	C	D	E	F
Type	Product no.	[kN]	[mm]	[mm]	[mm]	[mm]	[mm]	[mm]
TH1 13	61536	13	100	54	176	55	40	33
TH1 25	61537	25	120	90	195	68	55	42
TH1 50	61538	50	200	100	295	88	64	57
TH1 75/100	61539	100	240	140	325	108	90	77
TH1 150/200	61540	200	876	160	180	146	118	115

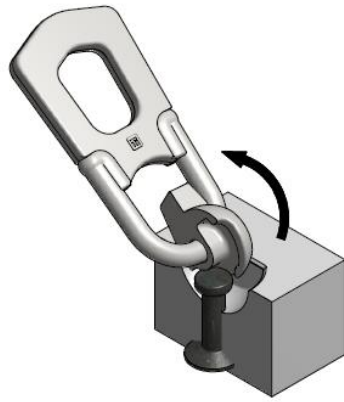


OPERATING INSTRUCTIONS



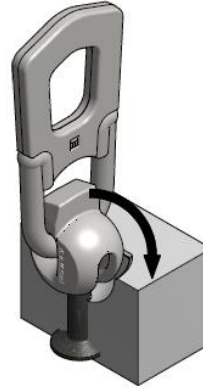
1

The clutch is placed in the right position.



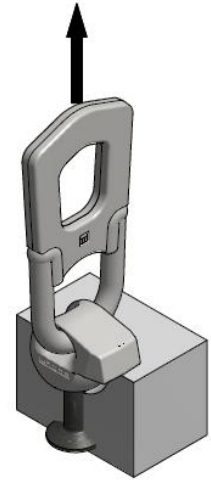
2

Rotate the shackle, until the opening corresponds with the anchor head.



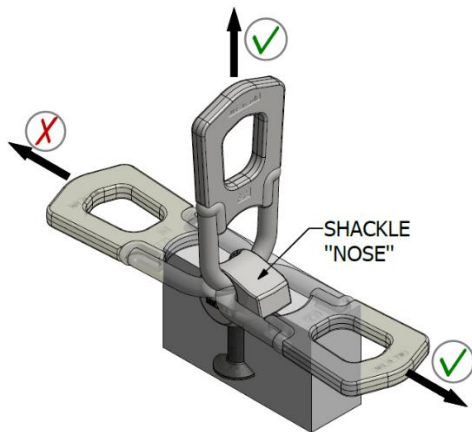
3

The shackle rotates to its locking position.

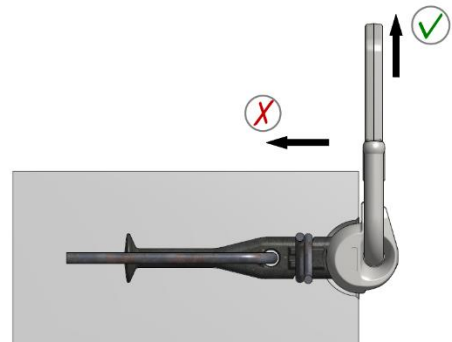


4

The nose of the shackle is pushed against the concrete element.

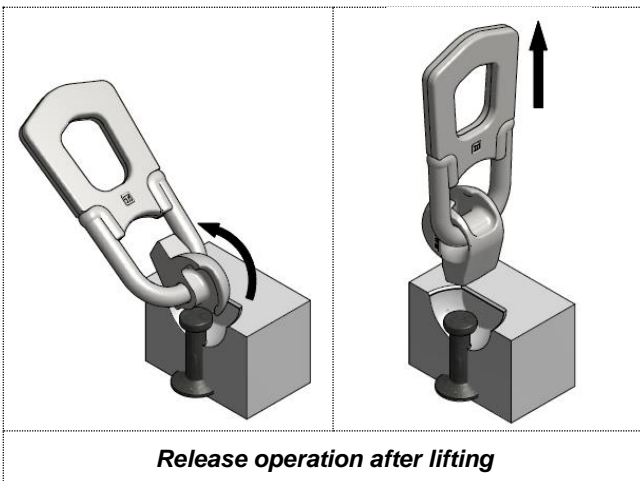


Angled lifting

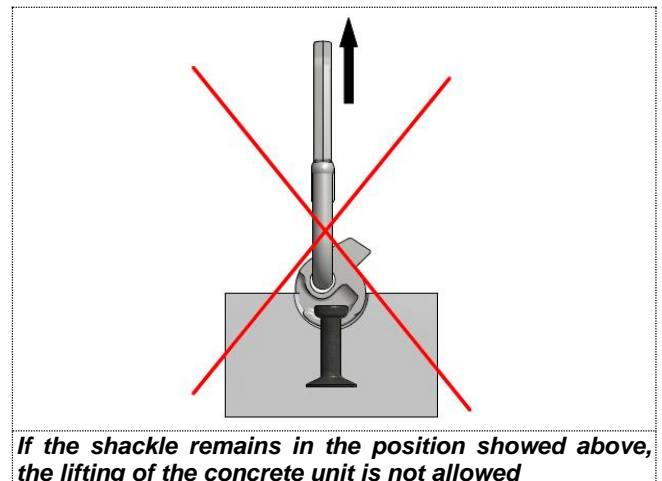


Tilt-up lifting

When pitching the concrete unit with the 3D Lifting System, the nose must face the same direction as the load (see illustration above). Due to the counterweight of the nose, the shackle remains connected, even in an unloaded state. To release the 3D Lifting System, the load hook is lowered and the shackle is turned up and out. The crane can only be withdrawn after the Lifting System is completely detached from the recess and anchor. The 3D lifting System can remain attached to the crane hook until the next use.



Release operation after lifting

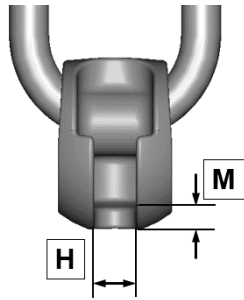


If the shackle remains in the position showed above, the lifting of the concrete unit is not allowed



LIFTING CLUTCHES - SYSTEM MAINTENANCE

As with all lifting devices, the lifting systems TH1, TH2 and THR2 must be checked at least twice a year by trained personnel. Any defects found should be corrected before use. It is important to determine the amount of wear. The lettering and identification of the lifting system must be visible. If the shackle is deformed or the mouth opening is enlarged, the 3D Lifting System must be taken out of use and cannot be repaired. If the limiting dimensions for H given in the tables below are exceeded or fall short for "M", further use of the Lifting System is unsafe. Repairs, especially welding operations on the Lifting System are strictly forbidden. Do not combine our products with accessories from other manufacturers.



Shackle dimensions



Checking TH calibre

A checking calibre for each type is available on request.

TYPE	TH2 NUMBER	H MAXIMUM [mm]	M MINIMUM [mm]	CALIBRE "GO/NO-GO" NUMBER
TH2 13	43143	13	5.5	46193
TH2 25	43144	18	7	46194
TH2 50	43145	24	9	46195
TH2 100	43146	33	12	46196
TH2 200	43147	45	18	46197
TH2 320	43148	56	25	46198
TH2 450	44500	56	25	46199

TYPE	THR2 NUMBER	H MAXIMUM [mm]	M MINIMUM [mm]	CALIBRE "GO/NO-GO" NUMBER
THR2 40/50	45281	24	9	46195
THR2 75/100	45279	33	12	46196

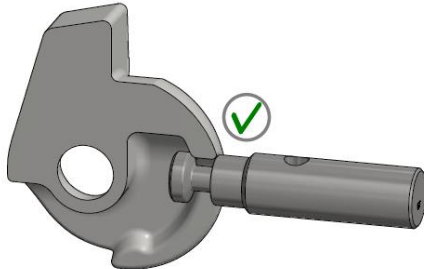


CHECKING DIMENSION "M"

The dimension "M" must be checked in this zone for risk of fracture during use.

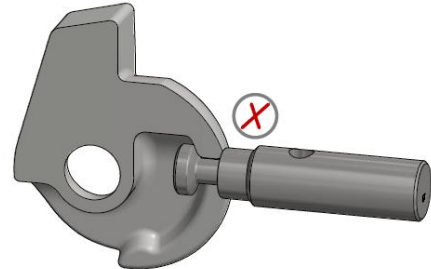
ACCEPTABLE

Dimension "M" is greater than the minimum permitted.



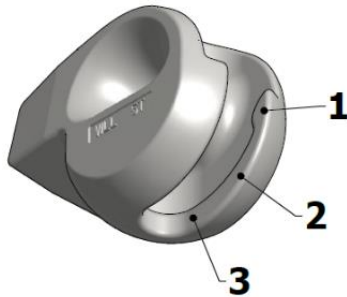
NOT ACCEPTABLE

In this case, dimension "M" is less than permitted.



CHECKING DIMENSION "H"

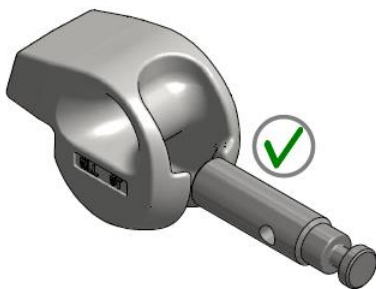
The "H" dimension must be checked in at least 3 zones for the risk of expansion during use.



PRIMARY ZONE

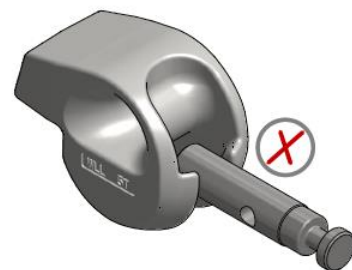
ACCEPTABLE

Dimension "H" is less than the maximum permitted.



NOT ACCEPTABLE

In this case, dimension "H" is greater than permitted.



SECONDARY ZONE

ACCEPTABLE

Dimension "H" is less than the maximum permitted.

NOT ACCEPTABLE

In this case, dimension "H" is greater than permitted.



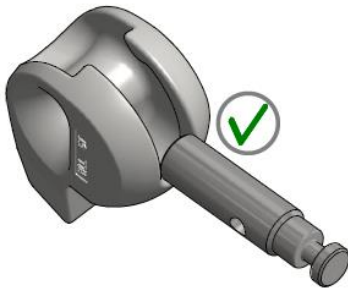
THE THIRD ZONE

ACCEPTABLE

Dimension "H" is less than the maximum permitted.

NOT ACCEPTABLE

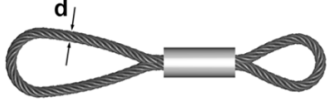
In this case, dimension "H" is greater than permitted.





CHECKING WIRE CABLE

Connection elements (bracket) to the crane hook which have visible signs of damage or excessive wear must be immediately taken out of use. The wear on the bracket must be less than the limits shown in the table below.

	Cable type	Number of visible ruptured wires over a length of		
		3d	6d	30d
	Braided cable	4	6	16

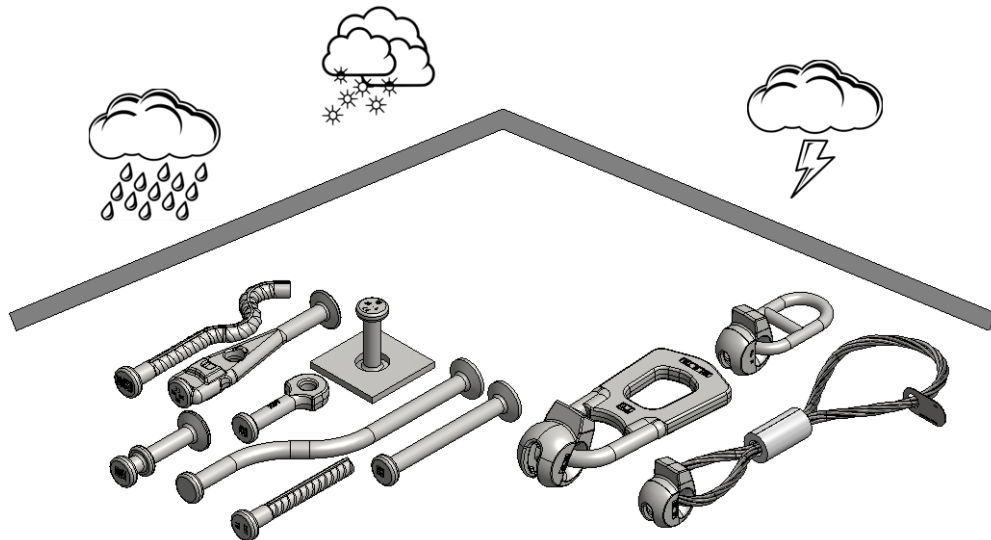
d = cable diameter

WIRE CABLES SHOULD BE INSPECTED FOR THE FOLLOWING FLAWS:

- Kinking
- One braid broken
- Separation of the outer layer of braids
- Crushed braids
- Crushing at the shackle contact point with more than 4 ruptured wires on braided cables or more than 10 ruptured wires on cable-laid rope
- Signs of corrosion
- Damage to or severe wear of the closing bush.
- Signs of slipping between the cable and the closing bush
- Large number of ruptured wires. A cable with a number of ruptured wires as in the table above must be taken out of use.

STORAGE REQUIREMENTS

Lifting systems and anchors must be stored and protected in dry conditions, under a roof. Large temperature variations, snow, ice, humidity, or salt and saltwater impact may cause damage to anchors and shorten the service life.





ATTACHMENT OF THE SLOT - ANCHORS IN CONCRETE

There must be a cavity in the concrete in order to link the TH2 lifting clutch to the T-Slot-anchor . This cavity is spherical in shape and can be either a half ball or a small ball slot. Various support kits are available for making this recess. For a half ball cavity the TH2 lifting clutch can be attached in any direction and can ultimately turn in the cavity during lifting until the lifting hook has reached its proper position. The RB recess former is the most practical.

RECESS FORMERS

The anchors are fitted in the mould with a recess former. The cavity former, enables the lifting clutch to fit over the anchor. Because of the special design, there are no sharp edges on the precast element. The recess formers are of course available in the same range as the lifting clutches and the anchors. This is indicated by a load group, marked on the top.

The formers are mounted on the mould with fixing plates. After de-mould of the element, the recess formers can be removed easily. Another option is represented by the magnetic and steel recess formers.

The standard recess formers are made of rubber shore 65° - 70°. The rubber used has a good resistance to de-mould oil. The formers will keep their original shape, even when they are heated up to 120°C. They can be used many times. The steel magnetic recess formers are manufactured without rubber.

RB – STANDARD RUBBER RECESS FORMER

The RB rubber recess former is used in combination with the T slot anchor, O-anchor, TPA anchor, TKS anchor and TSG anchor.

Rubber recess former RB		Load group	R	ØA	B	ØC	ØD	H
Description	Product no.	[kN]	[mm]	[mm]	[mm]	[mm]	[mm]	[mm]
RB-013	43905	13	30	9.5	9	10	66	32
RB-025	43906	25	37	14	7.5	14	80	39
RB-040/050	43907	50	47	15	11	20	100	48
RB-075	43908	75	60	15	10.5	24	128	61
RB-100	43909	100	60	15	10.5	28	128	61
RB-150	43910	150	80	19	10.5	38	170	80
RB-200	43911	200	80	19	10.5	40	170	80
RB-320/450	43677	320/450	108	22	15	50	236	107

SRB – NARROW RUBBER RECESS FORMER

The SRB narrow rubber recess former is used in combination with the T slot anchor, O-anchor, TPA anchor, TKS anchor and TSG anchor. Because of its minimal width, it is often used for thin elements, such as panels.

Rubber recess former SRB		Load group	ØA	B	ØC	h	M	N
Description	Product no.	[kN]	[mm]	[mm]	[mm]	[mm]	[mm]	[mm]
SRB-013	43949	13	9.5	7	10	29.5	37	47
SRB-025	43950	25	14	6	14	39	44	59
SRB-050	43951	50	15	8	20	49	60	78
SRB-075	43952	75	15	8	24	58	77	97
SRB-100	43953	100	15	8	28	58	77	97
SRB-150	49519	150	15	8	38	86	120	145
SRB-200	43954	200	15	8	40	86	120	145



RBK – TKA RUBBER RECESS FORMER

The RBK rubber recess former is used in combination with the TKA tilt-up anchor

Rubber recess former RBK		Load group	R	ØA	B	h	M	N
Description	Product no.	[kN]	[mm]	[mm]	[mm]	[mm]	[mm]	[mm]
RBK-013	43946	13	33	8	6	32	36	49
RBK-025	43947	25	40	10	6	38	44	60
RBK-050	43948	50	55	12	8	53	55	78

RBP – RUBBER RECESS FORMER

The RBP rubber recess former is used in combination with the P anchor with collar

Rubber recess former RBP		Load group	h	ØA	B	ØC	ØD
Description	Product no.	[kN]	[mm]	[mm]	[mm]	[mm]	[mm]
RBP-13-55 shore	44809	13	36	10	7	18.5	63
RBP-13-70 shore	43759	13	36	10	7	18.5	63
RBP-25-55 shore	44810	25	43.5	12	7	25.5	74
RBP-25-70 shore	43760	25	43.5	12	7	25.5	74
RBP-50-55 shore	44811	50	54	12	8	35.5	96
RBP-50-70 shore	44283	50	54	12	8	35.5	96
RBP-100-70 shore	44284	100	72	14	10	45	122

MPB – MAGNETIC RECESS FORMER

The MPB is made of polyurethane and can be used in combination with a P anchor. These recess formers are mostly applied in an upside down position.

Magnetic recess former MPB		Load group	ØA	B	ØC	ØD	h	R
Description	Product no.	[kN]	[mm]	[mm]	[mm]	[mm]	[mm]	[mm]
MPB-013	63839	13	M 10	8	18,7	64	33	32
MPB-025	63841	25	M 10	8	25.7	80	43.5	69
MPB-050	63842	50	M 12	8	35.7	101	54	65
MPB-100	63843	75/100	M 12	8	45.7	129	72	80

SBK – STEEL RECESS FORMER

The SBK steel recess former is made of steel S355JO and is used in combination with T slot anchor, O anchor, TPA anchor, TKS anchor and TSG anchor. When these anchors are used a rubber ring RR should be fitted as well. These recess formers are mostly applied in an upside down position.

Round steel recess former SBK		Load group	ØA	B	ØC	ØD	h	R
Description	Product no.	[kN]	[mm]	[mm]	[mm]	[mm]	[mm]	[mm]
SBK-013	44404	13	M12	11	20	63	36	32
SBK-025	45855	25	M12	11	30	80	43.5	69
SBK-050	45856	50	M12	13	37	101	54	65
SBK-100	45857	100	M16	15	48	129	72	80



SBKM – STEEL RECESS FORMER WITH MAGNET

The SBKM steel recess former with magnets is made of stainless steel W 1.4305 EN 10088 and is used in combination with T slot anchor, O anchor, TPA anchor, TKS anchor and TSG anchor. When these anchors are used a rubber ring RR should be fitted as well. These recess formers are mostly applied in an upside down position.

Round steel recess former SBKM		Load group	ØA	B	ØC	ØD	h	R
Description	Product no.	[kN]	[mm]	[mm]	[mm]	[mm]	[mm]	[mm]
SBKM-013	48722	13	M12	11	20	66.5	36	32
SBKM-025	48723	25	M12	11	30	80	43.5	69
SBKM-050	48724	50	M12	13	37	100	54	65
SBKM-100	48725	100	M16	15	48	129	72	80

RR – RUBBER RING

The rubber ring is used when a T slot anchor, O anchor, TPA anchor, TKS anchor and TSG anchor are fitted in an SBKM steel recess former or SBK.

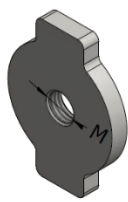
Rubber ring RR		Load group	D	d	t
Description	Product no.	[kN]	[mm]	[mm]	[mm]
RR-013	43966	13	21	10	11
RR-025	43967	25	31	14	12
RR-040/050	43968	50	38	20	14
RR-075	43813	75	49	24	20
RR-100	43969	100	49	28	20



FIXING ACCESSORIES FOR THE RUBBER RECESS FORMERS

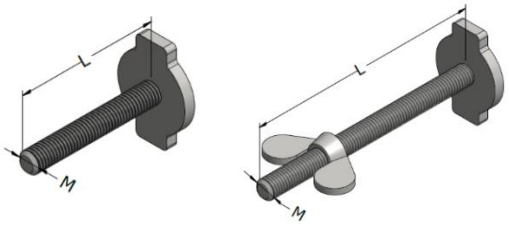
IP – FIXING PLATE

Fixing plate IP		Load group	Thread
Description	Product no.	[kN]	M
IP-013	43913	13	M8
IP-025	43914	25	M10
IP-050	43915	50	M10
IP-075/100	43916	75/100	M12
IP-150/200	43917	150/200	M12
IP-320	43918	320	M16



IPD – FIXING PLATE WITH THREAD ROD / IPDV – FIXING PLATE WITH THREAD ROD AND WING NUT

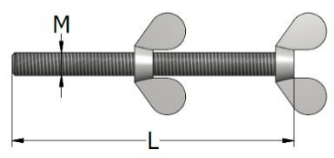
Fixing plate with thread rod IPD		Fixing plate with thread rod and wing nut IPDV		Load group	Thread	L
Description	Product no.	Description	Product no.	[kN]	M	[mm]
IPD-013	44051	IPDV-013	43081	13	M 8	100
IPD-025	44052	IPDV-025	43082	25	M 10	100
IPD-050	44053	IPDV-050	43083	50	M 10	100
IPD-075/100	44054	IPDV-075/100	43084	75/100	M 12	100
IPD-150/200	44055	IPDV-150/200	43085	150/200	M 12	100
IPD-320	44056	IPDV-320	43086	320	M 16	100



TDV – THREAD HOLDING SCREW

The TDV is used for mounting the recess former on the steel formwork. It is fitted with two wing nuts, of which the one at the end is locked.

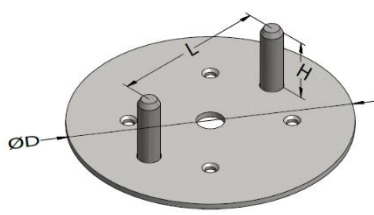
TDV		Load group	Thread	L
Description	Product no.	[kN]	[mm]	[mm]
TDV-3D-013	44589	13	M8	110
TDV-3D-025/050	44590	25–50	M10	110
TDV-3D-075/200	44591	75–200	M12	110
TDV-3D-320	44592	320	M16	110



OPR – MOUNTING PLATE

The OPR is available for mounting the RB recess former on the formwork. The recess former can easily be fitted on the two pins. The OPR also ensures that the recess former remains completely closed while pouring the concrete. The OPR can be nailed or welded to the formwork.

Holding plate OPR		Rubber recess former RB	Load group	D	L	H
Description	Product no.	Description	[kN]	[mm]	[mm]	[mm]
OPR-013	46058	RB-013	13	66	38	17
OPR-025	46059	RB-025	25	80	50	20
OPR-050	46060	RB-050	50	100	60	26
OPR-075/100	46061	RB-075/100	75/100	128	80	31
OPR-150/200	46062	RB-150/200	150/200	170	110	39
OPR-320	46063	RB-320	320	236	128	54

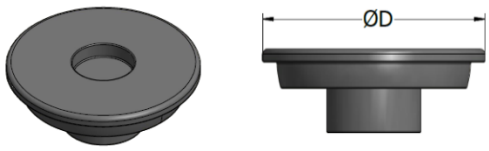




TAF – PROTECTION COVER

The TAF-protection cover ensures good protection for the anchor and the recess against water, ice or dirt.

Protection cover TAF		Load group	D
Description	Product no.	[kN]	[mm]
TAF-013	43170	13	70
TAF-025	43171	25	85
TAF-050	43172	50	104
TAF-075/100	43173	75/100	130
TAF-150/200	46517	150/200	175
TAF-320	46519	320	241

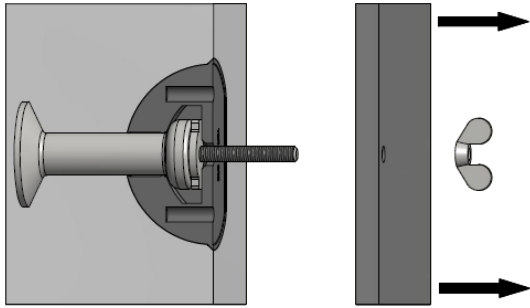




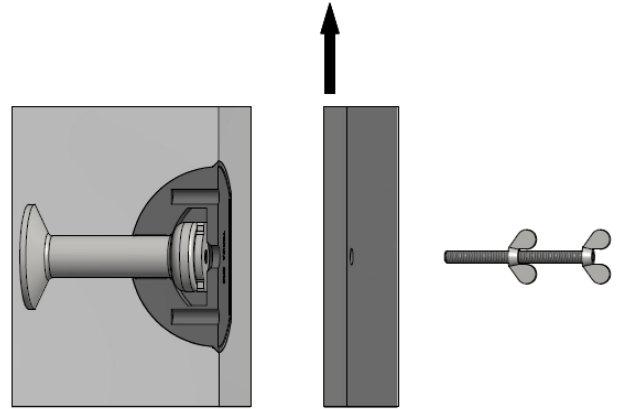
GENERAL INSTRUCTIONS FOR INSTALLATION AND USE

RUBBER RECESS FORMERS

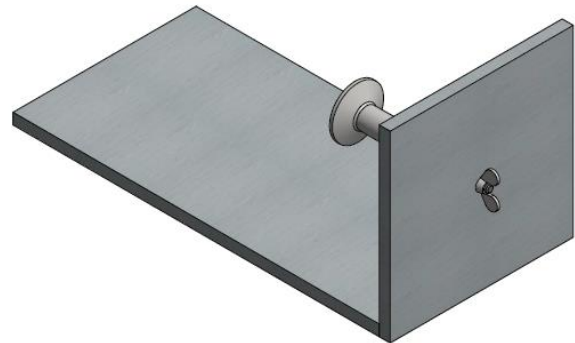
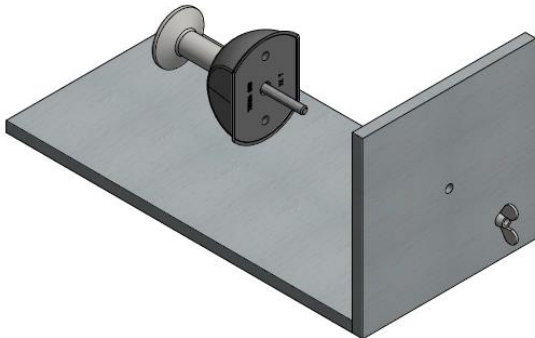
- If the formwork can only be removed sideways, the fixing plate with a threaded rod IPD or IPDV should be used.



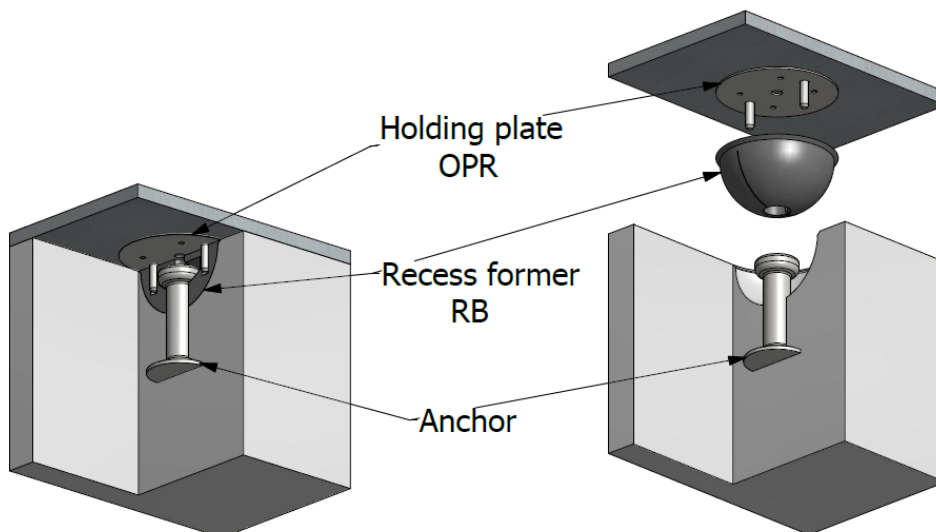
- If the formwork can only be removed vertically, the fixing plate IP in combination with the threaded screw TDV should be used.



- The fixing plate with a threaded rod IPD or IPDV and the anchor are fitted in the opened recess former. The recess former is mounted to the formwork with the wing nut. The nut is then tightened securing the recess former and the anchor firmly in position.

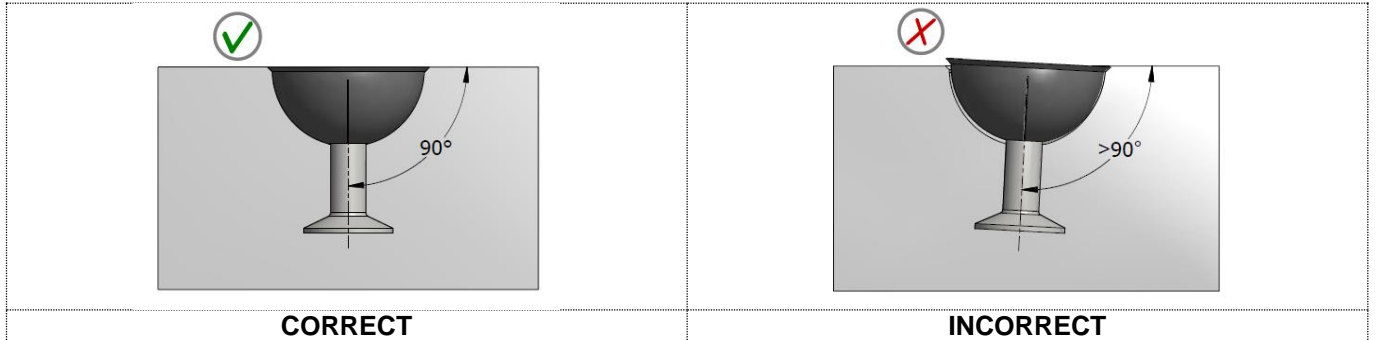


- For wooden formwork, the recess former can be mounted with the OPR mounting plate. The pins on the OPR ensure that the recess former remains closed during the process of pouring concrete. The OPR is mounted on the formwork with nails.



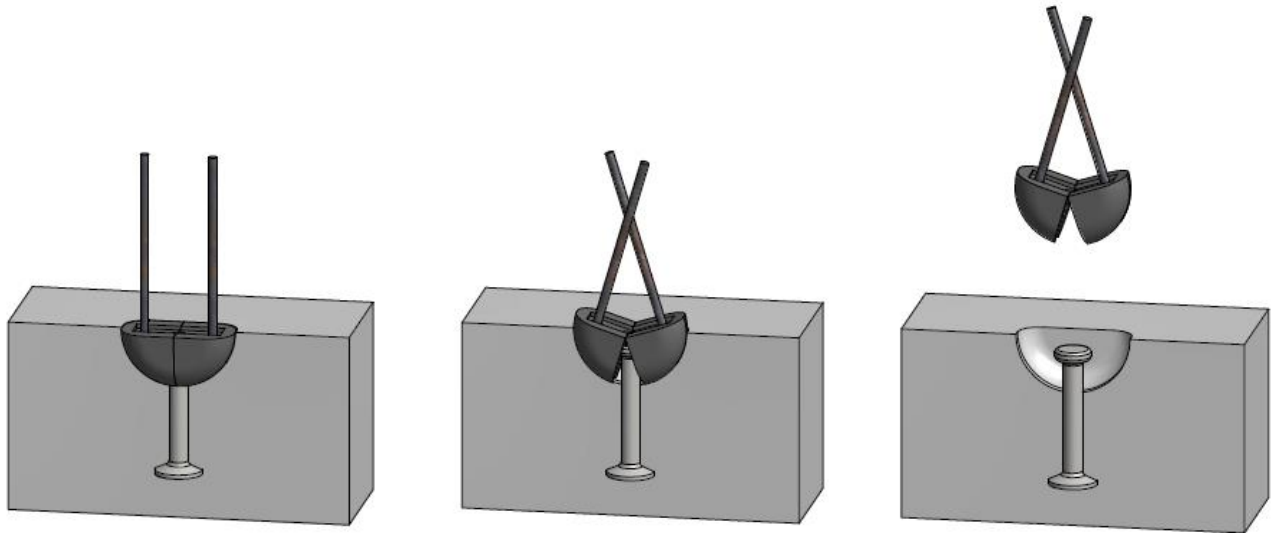


ANCHOR - INSTALLATION

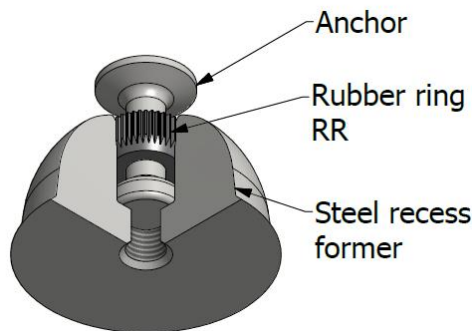


REMOVAL OF THE RUBBER RECESS FORMER

Two pieces of re-bar steel can be inserted in the recess former holes. Using these rods, the former bends open and can be removed from the anchor. Excessive concrete should be removed beforehand. Do not use a hammer or any other tools, as these can damage the recess former.

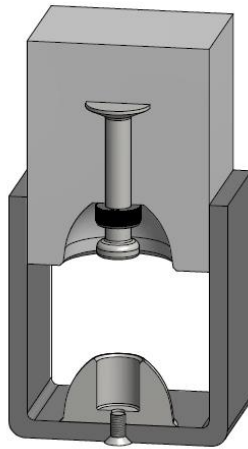
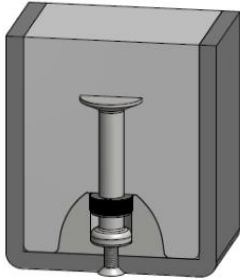


STEEL RECESS FORMER





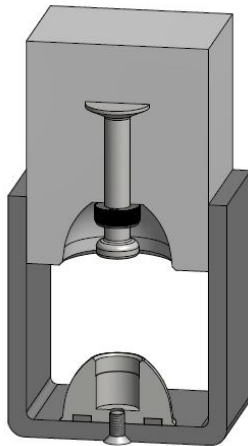
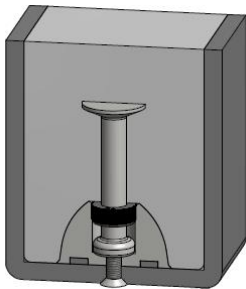
Steel recess former - SBK



The steel recess formers SBK and SBKM are always used in combination with a rubber ring. The rubber ring ensures that the anchor fits snugly in the former. Moreover, the rubber ring prevents concrete pouring into the recess former.

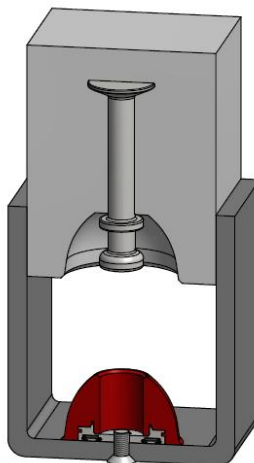
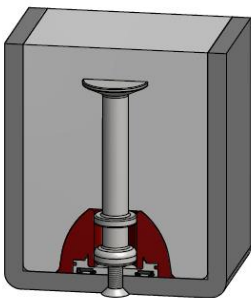
We recommend that both the anchor head and rubber ring be lubricated with formwork oil before installation. When the precast element is lifted out of the mould, the anchor and rubber ring detach themselves easily from the recess former.

Steel recess former with magnets - SBKM



When using the magnetic recess former, it is very important that the surface of the formwork be clean. After de-mould the magnetic former can be removed from the formwork with a screw.

Magnetic recess former for P-anchor - MPB



The MPB recess former with magnets is made of polyurethane resin and is used in combination with P anchor. These recess formers are mostly applied in an upside down position.



ALL SPECIFICATIONS CAN BE CHANGED WITHOUT PREVIOUS NOTICE.

DISCLAIMER

Terwa B.V. is not liable for deviations due to wear of the products it has delivered. Neither is Terwa B.V. liable for damage due to inaccurate and/or injudicious handling and use of the products it has delivered and/or use of same for purposes other than those intended.

Terwa B.V.'s responsibility is furthermore limited in conformance with article 13 of the "Metaalunie" conditions, conditions which are applicable for all Terwa B.V. deliveries. Compliance with all applicable copyright laws is the user's responsibility. Without limiting the rights under copyright,

no part of this documentation may be reproduced, stored in or introduced into a retrieval system, or transmitted in any form or by any means (electronic, mechanical, photocopying, recording, or otherwise), or for any purpose, without the express written permission of Terwa B.V.